

S45 AUTOMATE 0.5Nm | 20mm

The motorized 20mm 0.5Nm S45 roller shade system offers two motors for multiple tube diameters to suit a variety of applications. Featuring ARC (Automate Radio Communication), the motorized 20mm 0.5Nm S45 system provides an intelligent, Li-ion battery or DC powered solution.

**AESTHETICAL FEATURES**

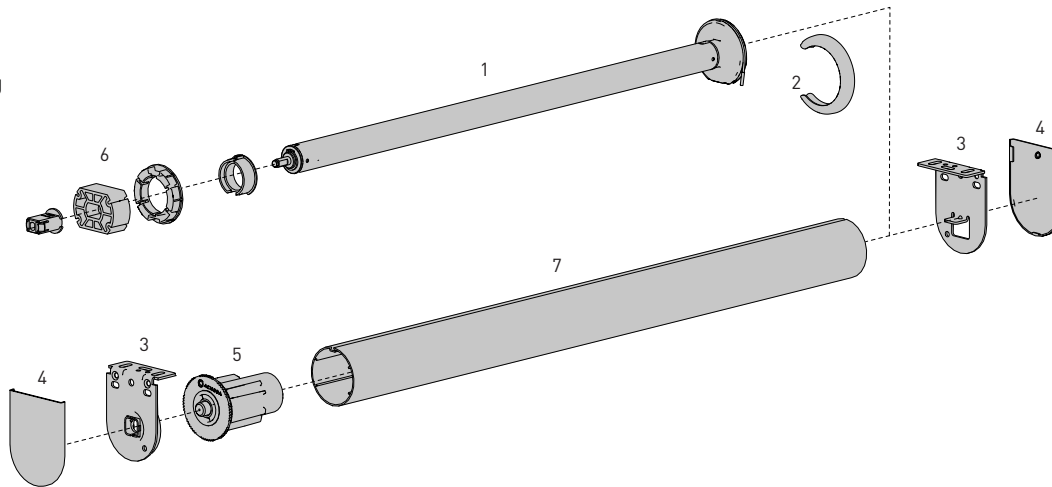
- Thinner 5V Motor Head
- Motor cap to color match with brackets

**PRODUCTION & ASSEMBLY FEATURES**

- Greater flexibility with installation with extendable pin end
- Crown, drive and adaptors available to suit multiple tube sizes
- Smaller Motor end deduction

**FUNCTIONAL BENEFITS**

- 5V Micro USB Charging
- Antennae Wire Retention Feature
- Levelling control
- Simple limit setting and adjustment
- Favorite position
- 3 operational speed settings
- 2-WAY RF communication
- ARC protocol for simple programming



**SYSTEM INDEX**

1	Automate Motor   20mm MT01-1320-069002 - Li-ion 0.5Nm ARC Motor[020/5V/20rpm][S45]
2	Motor Cap MT03-0502-xxx001 - Li-ion ZERO
3	Brackets RB08-8345-xxx030 - S35 VX/LX Bracket RB09-0352-xxx040 - S45 LX Bracket (40mm) RB09-0352-xxx055 - S45 LX Bracket (55mm)
4	Bracket Covers RB08-4151-xxx030 - S35 VX/LX Bracket Cover RB08-4151-xxx040 - S45 LX Bracket Cover (40mm) RB08-4151-xxx055 - S45 LX Bracket COver (55mm)
5	Pin End RB08-0501-xxx034 - S35 Tube RB09-0245-xxx001 - S45 Tube
6	Crown & Drive Kit MT03-0110-069009 - 25mm crowns MT03-0110-069010 - S35 Tube MT03-0110-069011 - Louvolite 32mm Tube MT03-0110-069012 - Louvolite 38mm Tube
7	Aluminum Tube RB93-0333-xxxLLL - S35 STD Tube RB93-0335-xxxLLL - S35 HD Tube RB93-0443-xxxLLL - S45 LT Tube RB93-0444-xxxLLL - S45 STD Tube RB93-0449-xxxLLL - S45 HD Tube

# = Size | xxx = Color | LLL = Length

**CONTROL OPTIONS**

<p>REMOTES</p>	<p>WALL SWITCH</p>	<p>SMART HOME</p>	<p>PULSE</p>	<p>ELECTRIC</p>	<p>SOLAR</p>	<p>SUN SENSOR</p>
----------------	--------------------	-------------------	--------------	-----------------	--------------	-------------------

**CHARGERS**

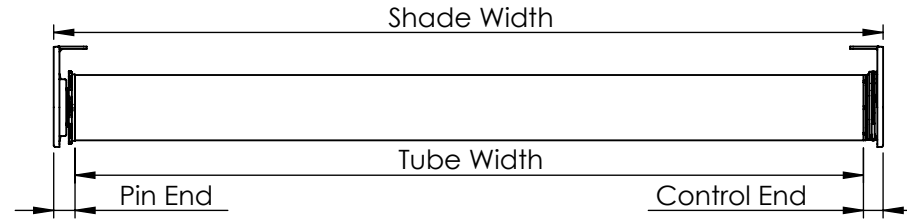
**OPTIONS**

**COLOUR RANGE**



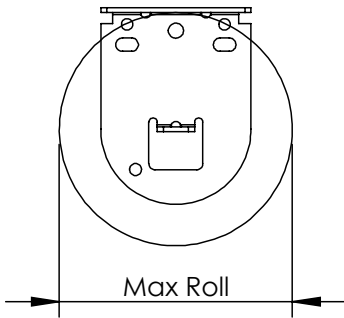
SPECIFICATIONS

DEDUCTION CHART



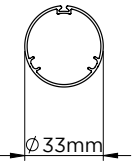
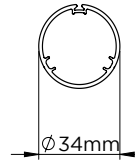
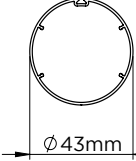
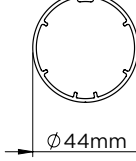
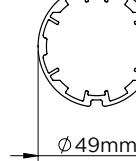
TUBE	MOTOR	BRACKETS	DEDUCTIONS			MINIMUM SHADE WIDTH
			CONTROL END	PIN END	TOTAL	
S35	MT01-1320-069002 + MT03-0205-069001	With Covers	12mm	14mm	26mm	0.560m
		No Covers	11mm	13mm	24mm	0.558m
S45	MT01-1320-069002	With Covers	13mm	14mm	27mm	0.569m
		No Covers	12mm	13mm	25mm	0.567m

MAX ROLL



BRACKET	MAX ROLL SIZE
RB08-8345-xxx030	57mm
RB09-0352-xxx040	78mm
RB09-0352-xxx055	107mm

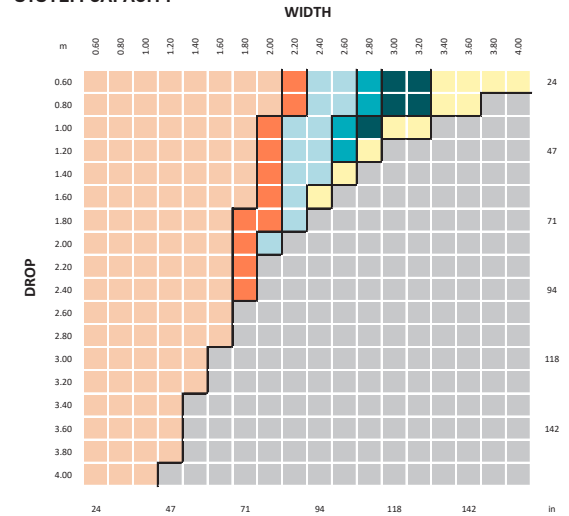
TUBE SPECS








 Ø 33mm	 Ø 34mm	 Ø 43mm	 Ø 44mm	 Ø 49mm
<b>S35 STD Tube</b> Code: RB93-0333-xxxLLL (w.tape)	<b>S35 HD Tube</b> Code: RB93-0335-xxxLLL (w.tape)	<b>S45 Light Tube</b> Code: RB93-6443-xxxLLL RB93-0443-xxxLLL (w.tape)	<b>S45 STD Tube</b> Code: RB93-6444-xxxLLL RB93-0444-xxxLLL (w.tape)	<b>S45 HD Tube</b> Code: RB93-6449-xxxLLL RB93-0449-xxxLLL (w.tape)

MOTORS	MAX LIFTING CAPACITY					MAX DROP*
	S35 STD TUBE	S35 HD TUBE	S45 LT TUBE	S45 STD TUBE	S45 HD TUBE	
0.5Nm	3.1kg	3.0kg	2.4kg	2.3kg	2.1kg	4m

\* Recommended Max Drop. Exceeding this value may cause fabric tracking issues

SYSTEM CAPACITY



S40/45 TUBES	CAPACITY	PARAMETERS
 S35 STANDARD	3.1kg	FABRIC DENSITY: 420gsm
 S35 HEAVY DUTY	3.0kg	FABRIC THICKNESS: 0.6mm
 S45 LIGHT	2.4kg	WEIGHT BAR: D30 Bottom Rail
 S45 STANDARD	2.3kg	CONTROL: 0.5Nm Motor
 S45 HEAVY DUTY	2.1kg	
 LINKED SYSTEM		
 OUTSIDE SPECIFICATIONS		