

Skyline 2.0Nm | 28mm

The motorized 28mm 2.0Nm Skyline roller shade system offers multiple tubes to suit a variety of applications. Featuring ARC (Automate Radio Communication), the 28mm 2.0Nm Skyline system provides an intelligent Li-ion battery powered solution.

AESTHETICAL FEATURES

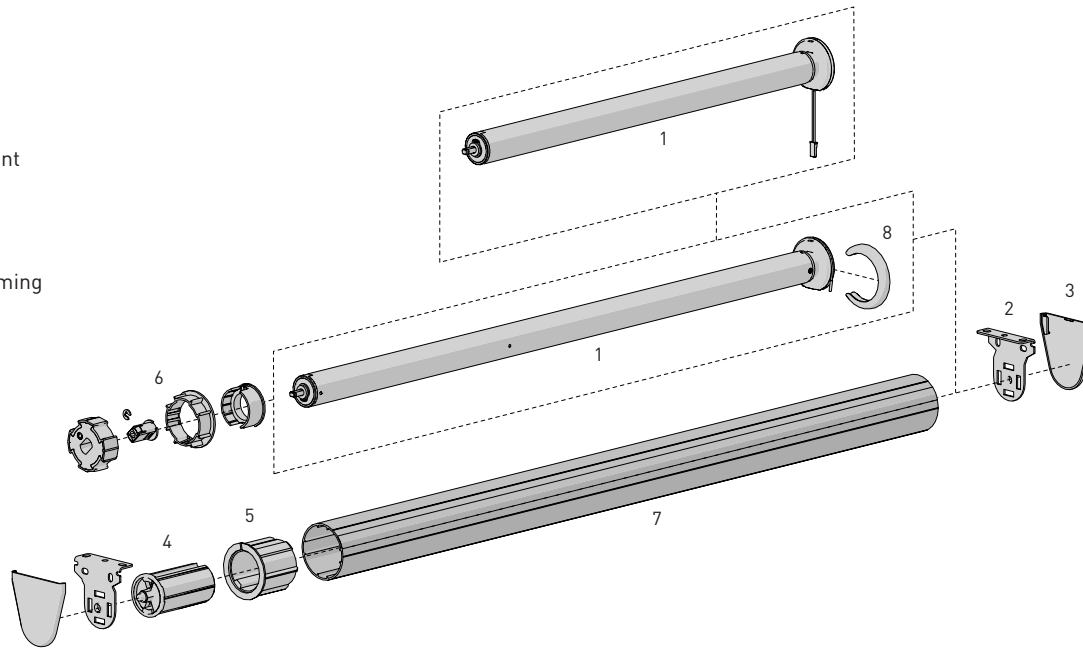
- Thinner Motor Head
- Motor cap to color match with brackets

PRODUCTION & ASSEMBLY FEATURES

- Smaller Motor end deduction
- Greater flexibility during installation with spring loaded pin end
- Crown, drive and adaptors available to suit variety of tube sizes

FUNCTIONAL BENEFITS

- 5V Micro USB Charging
- Antennae Wire Retention Feature
- Levelling control
- Simple limit setting and adjustment
- Favorite position
- 3 operational speed settings
- ARC protocol for simple programming
- 2-WAY RF communication



SYSTEM INDEX

| | |
|---|--|
| Automate Motor 28mm | |
| MT01-1228-069002 - DCRF 2.0Nm 28rpm 12V ZERO | |
| 1 | MT01-1328-069001 - Li-ion 2.0Nm 20rpm 5V ZERO |
| | MT01-1328-069004 - Li-ion 2.0Nm 20rpm 5V ZERO CT15 |
| | MT01-1328-069006 - Li-ion 2.0Nm 28rpm 5V ZERO CT15 |
| Brackets | |
| SLB###x - Skyline Bracket | |
| 2 | SLNB###x - Skyline Narrow Bracket |
| | SL01-0306-xxx040 - Skyline LX Bracket - 40mm pitch |
| | SL01-0306-xxx055 - Skyline LX Bracket - 55mm pitch |
| Bracket Covers | |
| SLBC###x - Skyline Bracket Cover | |
| 3 | SLNBC###x - Skyline Narrow Bracket Cover |
| | RB08-4151-xxx040 - Skyline LX Bracket Cover - 40mm |
| | RB08-4151-xxx055 - Skyline LX Bracket Cover - 55mm |
| Pin End | |
| 4 | SLPEHD53xx |
| Adaptor | |
| 5 | RA2xx - for 2" Tube |
| Crown & Drive Kit | |
| 6 | MT03-0110-069002 - Kit for 1½" Tube |
| | MTCRDR-28-2 - Kit for 2" Tube |
| Aluminum Tube | |
| 7 | RTEA4T## - 1½" Tube |
| | RTEA5T## - 2" Tube |
| Motor Cap | |
| MT03-0502-027001 - Chrome - Li-ion ZERO | |
| MT03-0502-034001 - Satin Nickel - Li-ion ZERO | |
| MT03-0502-043001 - Brass - Li-ion ZERO | |
| MT03-0502-059001 - Black - Li-ion ZERO | |
| MT03-0502-077001 - White - Li-ion ZERO | |
| 8 | MT03-0502-079001 - Antique Bronze - Li-ion ZERO |
| | MT03-0502-091001 - Gun Metal - Li-ion ZERO |
| | MTCAP-25-BK -Black - for DCRF |
| | MTCAP-25-W - White - for DCRF |
| | MTCAP-25-AB - Antique Bronze - for DCRF |
| | MTCAP-25-SN - Satin Nickel - for DCRF |

= Size | xxx= Color

CONTROL OPTIONS

| | | | | | | |
|----------------|--------------------|-------------------|--------------|-----------------|--------------|-------------------|
| <p>REMOTES</p> | <p>WALL SWITCH</p> | <p>SMART HOME</p> | <p>PULSE</p> | <p>ELECTRIC</p> | <p>SOLAR</p> | <p>SUN SENSOR</p> |
|----------------|--------------------|-------------------|--------------|-----------------|--------------|-------------------|

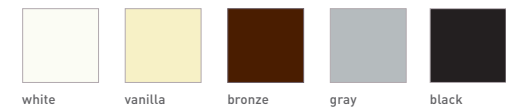
CHARGERS

OPTIONS

UPGRADES

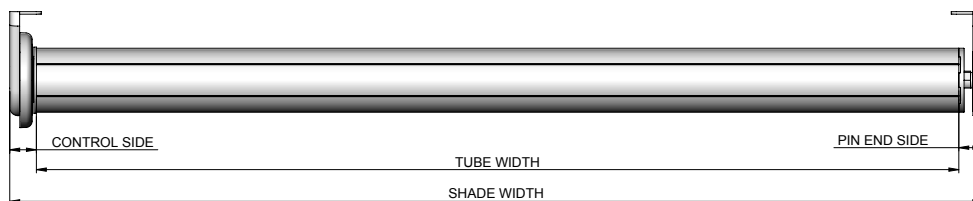
COLOR RANGE

- CASSETTE 80/100/120
- FASCIA 3"/4"/5"
- LINK SYSTEM
- POCKETS 3"/4"/5"/6"



SPECIFICATIONS

DEDUCTION CHART

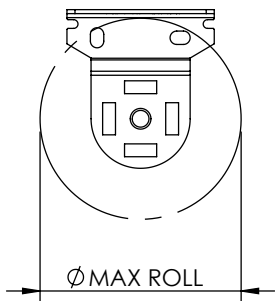


| MINIMUM SHADE WIDTH | | |
|---------------------|------------------|-------------------|
| TUBE | MOTOR | LENGTH |
| 1 1/2" | MT01-1228-069002 | 21-1/2" [546mm] |
| | MT01-1328-06900X | 29-15/16" [760mm] |
| 2" | MT01-1228-069002 | 21-5/16" [541mm] |
| | MT01-1328-06900X | 29-11/16" [754mm] |

| MOTOR | TUBES | BRACKETS | DEDUCTIONS | | |
|--|--------|-------------|---------------|--------------|-----------------|
| | | | CONTROL END | PIN END | TOTAL |
| MT01-1228-069002 MT01-1328-069001 MT01-1328-069004 MT01-1328-069006 | 1-1/2" | With Covers | 11/16" [17mm] | 5/8" [16mm] | 1-5/16" [33mm]* |
| | | No Covers | 9/16" [15mm] | 9/16" [14mm] | 1-1/8" [29mm] |
| | 2" | With Covers | 11/16" [17mm] | 9/16" [15mm] | 1-1/4" [32mm] |
| | | No Covers | 5/8" [16mm] | 9/16" [14mm] | 1-3/16" [30mm] |

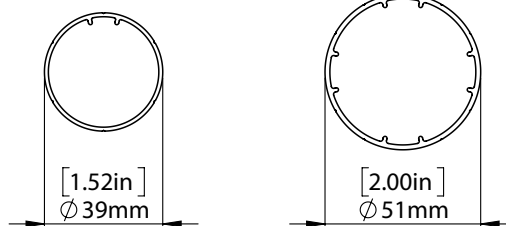
NOTES:
* DEDUCT 1MM FROM BRACKET COVERS TOTAL FOR LX SKYLINE BRACKET + COVERS VALUES.

MAX ROLL



| BRACKET/SYSTEM | MAX ROLL SIZE |
|------------------|-----------------|
| SLNBxx650xx | 2-3/8" [59mm] |
| SLxx660xx | 3" [76mm] |
| SLxx680xx | 4" [102mm] |
| SL01-0306-xxx040 | 2-15/16" [74mm] |
| SL01-0306-xxx055 | 4-1/16" [103mm] |

TUBE SPECS.



1 1/2" Tube

Code: RTEA4T12 (with tape)
RTEA4U12
RTEA4T16 (with tape)
RTEA4U16

Length 12', 16'
[3.66m, 4.88m]

2" Tube

Code: RTEA5T12 (with tape)
RTEA5U12
RTEA5T16 (with tape)
RTEA5U16

Length 12', 16'
[3.66m, 4.88m]

| MOTORS | MAX LIFTING CAPACITY | | MAX DROP* |
|--------|----------------------|--------------------|---------------|
| | 1-1/2" TUBE | 2" TUBE | |
| 2.0Nm | 23.3lbs [10.6kg] | 17.6lbs [8.0kg] | 13.1' [4m] |

* Recommended Max Drop. Exceeding this value may cause fabric tracking issues

SYSTEM CAPACITY

