

AUTOMATE®

Pulse PRO

The Pulse PRO connects to your home network, delivering a personalized shading experience with advanced app control, voice commands, and seamless integration with leading home automation systems. Enjoy precise, bidirectional shade communication, customizable schedules, and reliable, long-range performance all from a single hub.



Voice Control

Intuitively control Automate shades with simple voice commands through Google Assistant, Amazon Alexa or Apple HomeKit.



Automate App Control

Control shades remotely, whether home or away. The Automate app is available for all Android phones, tablets and iOS devices, including Apple Watches & iPads.



Sunrise & Sunset Detection

Utilizing time zone and location, the Pulse PRO can automatically raise or lower Automate shades according to the position of the sun.



Live Feedback

ARC enables live communication between the hub and motors. Check motor battery levels and shade positions through the app or smart assistants



Distinct Design

Designed in California, the Pulse PRO embraces elements from modern architecture to ensure it complements the interior of any home.



Personalized Experience

Create custom rooms, scenes, routines and timers to enable efficient or automatic shade control based on time, weather or schedule.



High-Speed Connection

Built-in Wi-Fi or the option of Ethernet connection, ensures the Pulse PRO can connect to any home network and provide swift, wireless control of Automate shades.



Simultaneous Shade Control

Synchronize shade groups for smooth, coordinated open/close movements and a refined user experience.



Simple Provisioning Process

Easily connect to the home's router with a quick, 3-step installation for seamless setup.



Long-Range Performance

Control up to 30 shades with a single hub, offering reliable operation at distances up to 3,000 sq ft.



Compatible with
 matter

7 YEAR WARRANTY



ARC™ (Automate Radio Communication) is Rollease Acmeda's proprietary technology utilizing 433MHz radio communication with bi-directional feedback that brings Automate motorized shading systems together.

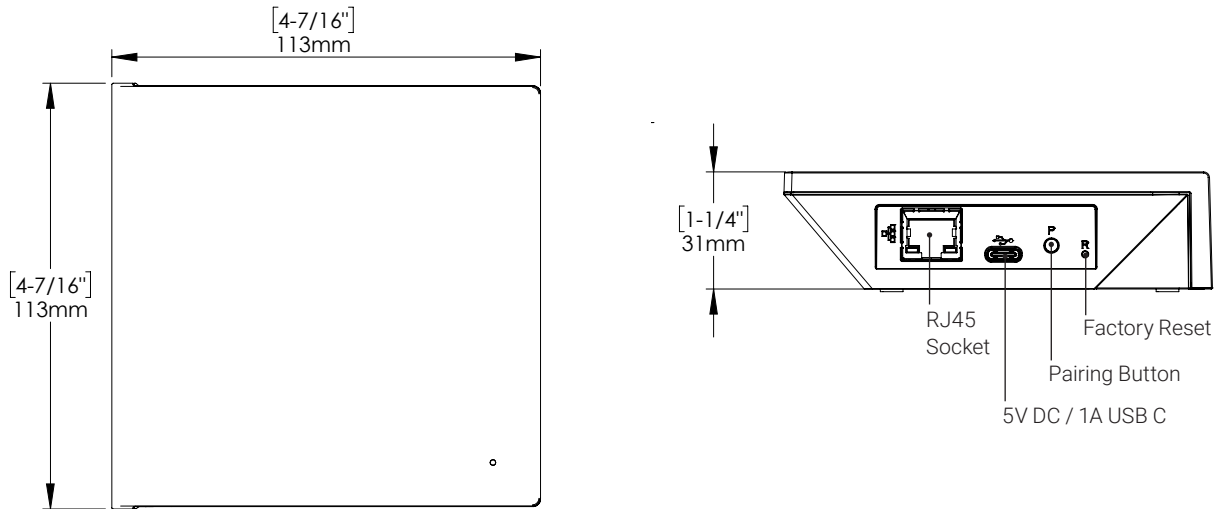
A Division of Rollease Acmeda

Product Specifications

Part #: MT02-5401-050001 Automate Pulse PRO

Input Voltage	5V	Apple iOS Version	Needs to be 12.4 or greater
Input Power	1000mA	Android Version	Needs to be 7+ for app usage or 11+ for pairing
Wi-Fi Network	2.4Ghz only	Devices	Compatible with Smart Phones, Tablets and Smart Watches
Shade Control Frequency	433.92 MHz	Locations per Account	5
Range	3,000 sq ft	Devices per Hub	30
Protection Class	IP20	Hubs per Location	5
Operation Temperature	32°F to 140°F (0°C to 60°C)	Rooms per Location	20
Connection	Ethernet and Wi-Fi	Scenes per Location	20
IOT Integration	Apple HomeKit, Amazon Alexa, Google Assistant, SmartThings	Timers per location	20
Third Party Device Integration	Control4, ELAN, HomeSeer, Crestron AMX, Savant, RTI	USB Cable Length	31 Inches / 80cm
Matter Compatibility	Yes - Via Wifi / Ethernet	Ethernet Cable	39 Inches / 100cm

Dimensions



Integrations

