

AUTOMATE[®]

Hardwired Switch Dual Channel

A streamlined commercial shade control solution engineered for rapid deployment and reliable performance when paired with the 4 Channel Motor Controller.



Plug & Play Installation

Utilizes a standard RJ45 connector for fast installation with no wire stripping or terminal block wiring required.



Built for Commercial Scale

Ideal for projects with extensive shade counts, supporting efficient rollout across entire floors or multi-facade buildings.



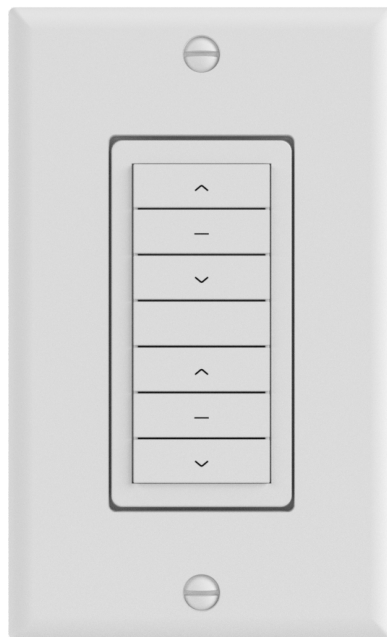
4Ch Motor Controller Optimized

Designed to directly interface with the controller's RJ45 ports, ensuring reliable communication and precise shade control at the channel, group, or facade level.



Fast & Efficient Installs

Standardized cabling and a simplified setup process allow installers to complete large-scale deployments quickly with consistent, repeatable results.



7 YEAR WARRANTY

ARC

ARC™ (Automate Radio Communication) is Rollease Acmeda's proprietary technology utilizing 433MHz radio communication with bi-directional feedback that brings Automate motorized shading systems together.

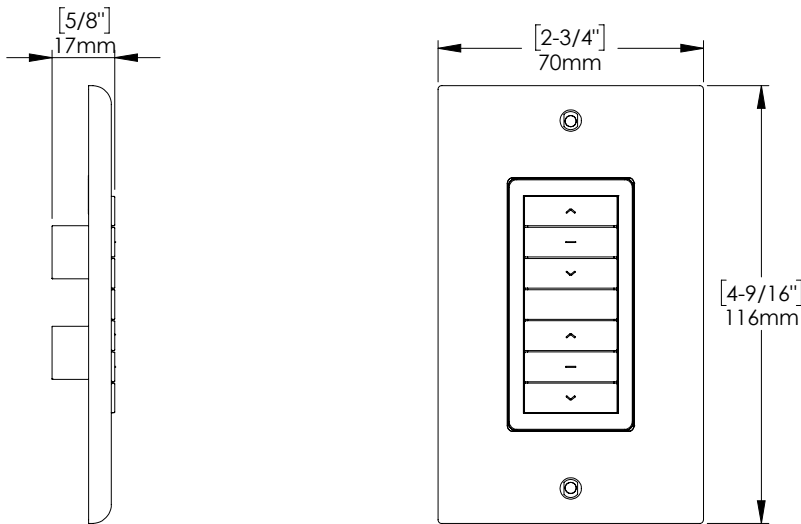
A Division of Rollease Acmeda

Product Specifications

Part #: MT02-0201-069007 Hardwired Switch Dual Channel

Voltage	12 V dc max.	Current	50 mA max.
IP Rating	IP20	Temp Working Range	32°F to 140°F (0°C to 60°C)

Dimensions



What's in the Box

- Hardwired Switch Dual Channel
- Wallplate Fascia
- Oval Head Slotted Machine Screw, M3.5
- Screw, Self Tapping, Philips, C/Sunk Head, #4 x 5/8
- Screw Wall Plug
- Instructions

Applications

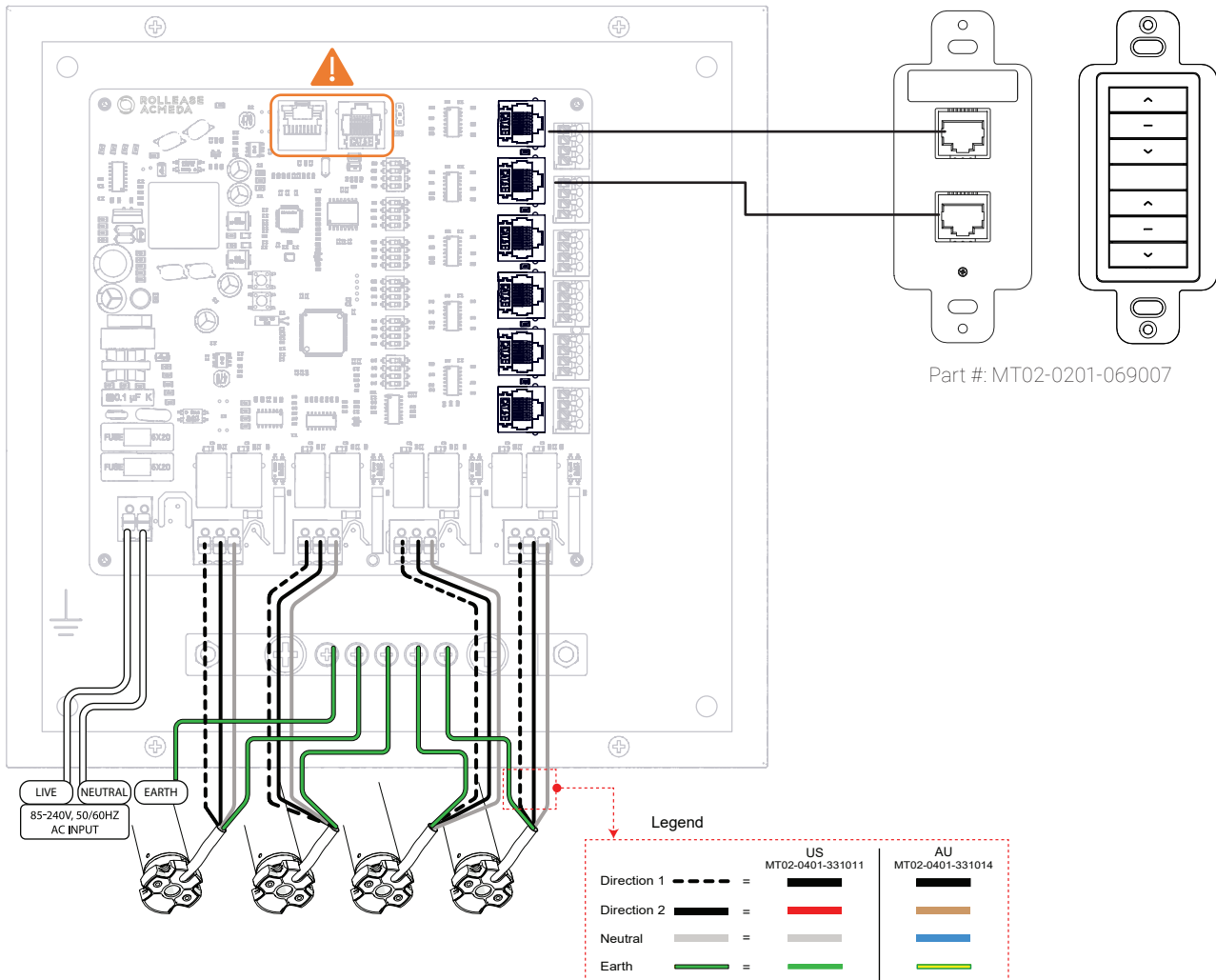
- Roller Shades
- Roman Shades
- Roller Roman

Compatible Products (refer to catalog for full item listings)

Controllers

- MT02-0401-331011 - AUTOMATE | 4 CH ML Motor Controller
- MT02-0401-331014 - AUTOMATE | 4CH ML Motor Controller w/ HV Cover

Wired Switch for 4CH Motor Controller Install Guide



Dry Contact RJ45

Pin no.	Pinout Definition	T568A Color	T568B Color	Pins of plug face
1	Pre-set 1 Default: 20% open	white/green stripe	white/orange stripe	
2	Pre-set 2 Default: 40% open	green solid	orange solid	
3	Pre-set 3 Default: 60% open	white/orange stripe	white/green stripe	
4	12V+	blue solid	blue solid	
5	Pre-set 4 Default: 80% open	white/blue stripe	white/blue stripe	
6	Down	orange solid	green solid	
7	Up	white/brown stripe	white/brown stripe	
8	Ground	brown solid	brown solid	

Max cable length 100m

Note

The Hardwired Switches are compatible with any of the four single ports or the two master ports. The Switches are designed to work with our 4 Channel Motor Controller via Dry Contact using Cat 5 or Cat 6 cables for easy connection and installation.



WARNING

DO NOT connect Hardwired Switches to the RS485 communication ports, connecting unsupported devices will cause damage to the 4 Channel Motor Controller.

4CH Controller Setup

Scan the QR code below to view the User Manual and setup instructions.



AU



US