

# AUTOMATE®

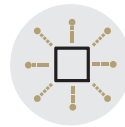
## External Wired RF Receiver

Unlocks wireless RF control when used with a 4-motor controller, eliminating complex wiring at each control point.



### Wireless Control Integration

Enables RF communication between RF Remotes and the 4 Channel Motor Controller.



### Compatible Product Ecosystem

Works with Push Series remotes, wall switches, and sun sensors.



### Sensor Integration

Accepts input from sun sensors to automate motor responses.



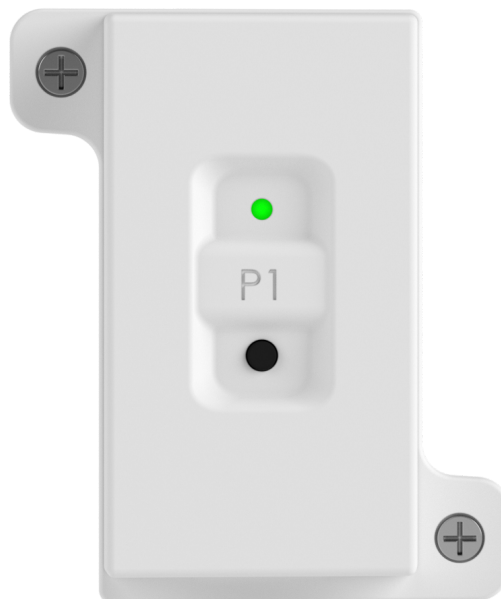
### Simplified Wiring

Reduces the need for complex wiring when adding new control points.



### One-Button Pairing

Fast and intuitive setup with a single press.



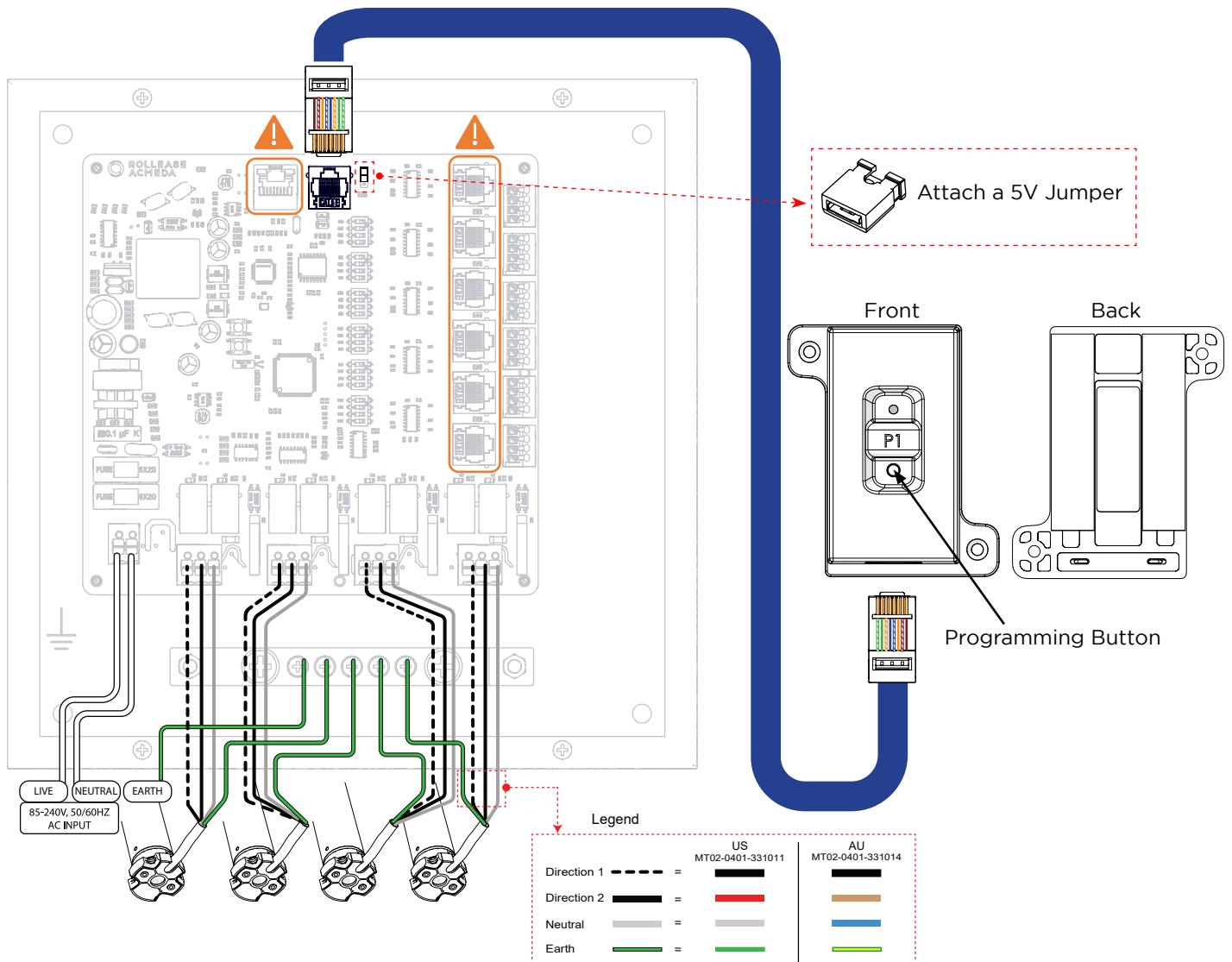
**7** YEAR WARRANTY

**ARC**

ARC® (Automate Radio Communication) is Rollease Acmeda's proprietary technology utilizing 433MHz radio communication with bi-directional feedback that brings Automate motorized shading systems together.

A Division of Rollease Acmeda

# Product Diagram / Connection



## RS485

Pin no.	Pinout Definition	T568A Color	T568B Color	Pins of plug face
1	5V+	white/green stripe	white/orange stripe	
2	RESERVED	green solid	orange solid	
3	RESERVED	white/orange stripe	white/green stripe	
4	+ RS485	blue solid	blue solid	
5	- RS485	white/blue stripe	white/blue stripe	
6	RESERVED	orange solid	green solid	
7	RESERVED	white/brown stripe	white/brown stripe	
8	Ground	brown solid	brown solid	



### WARNING

Receiver can only be plugged into the RS485 Port, failure to do so can damage the device.

## 4CH Controller Setup

Scan the QR code below to view the User Manual and setup instructions.



AU



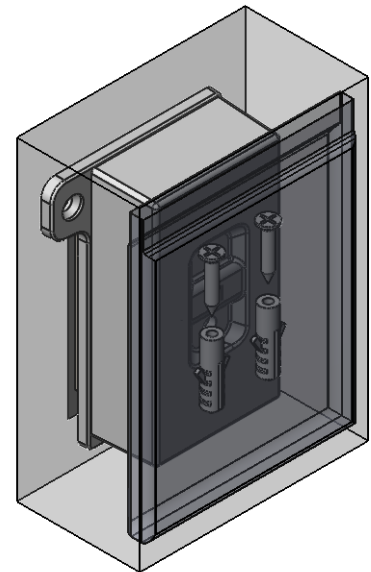
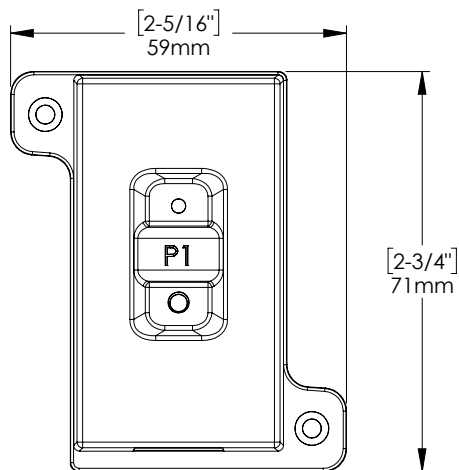
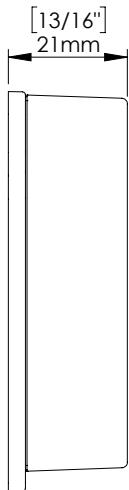
US

# Product Specifications

Part #: MT02-0406-069009 External Wired RF Receiver

<b>Input Voltage</b>	5 V	<b>Temp Working Range</b>	32°F to 140°F (0°C to 60°C)
<b>IP Rating</b>	IP20	<b>Power</b>	165 mW
<b>Radio Frequency</b>	433.92 MHz	<b>Range</b>	131 ft (40m)
<b>RF Modulation</b>	FSK	<b>Devices Per Receiver</b>	4
<b>Max Cable Distance</b>	328 ft (100 m)	<b>Connection</b>	Ethernet Cable

## Dimensions



## Accessories

- Screw, Self Tapping, Philips, C/Sunk Head, #4 x 5/8 x 2
- Plastic, Wall Plug - Expanding, suits #4 Screw x 2
- Plastic Reseal Poly Bag 60mm x 80mm x 1

## Compatible Products (refer to catalog for full item listings)

### Controllers



Push Remotes



4CH Motor Controller

### Sensors



Internal Sun Sensor