

AUTOMATE.®

AC EL Motor Q10

Seamless integration. Effortless installation. Reliable performance.
The Electronic Limit (EL) motors offer compatibility with existing components, simplified shade setup, and hardwired stability for reliable operation, making them ideal for residential and commercial environments.



Convenient Integration

The EL motors can be seamlessly integrated with any existing Building Management System (BMS) using the 4 Channel Motor Controller.



Simplified Programming

Quick and easy shade setup with the 4 Channel Motor Controller using a simple limit-setting tool, eliminating the need for complicated manual adjustments.



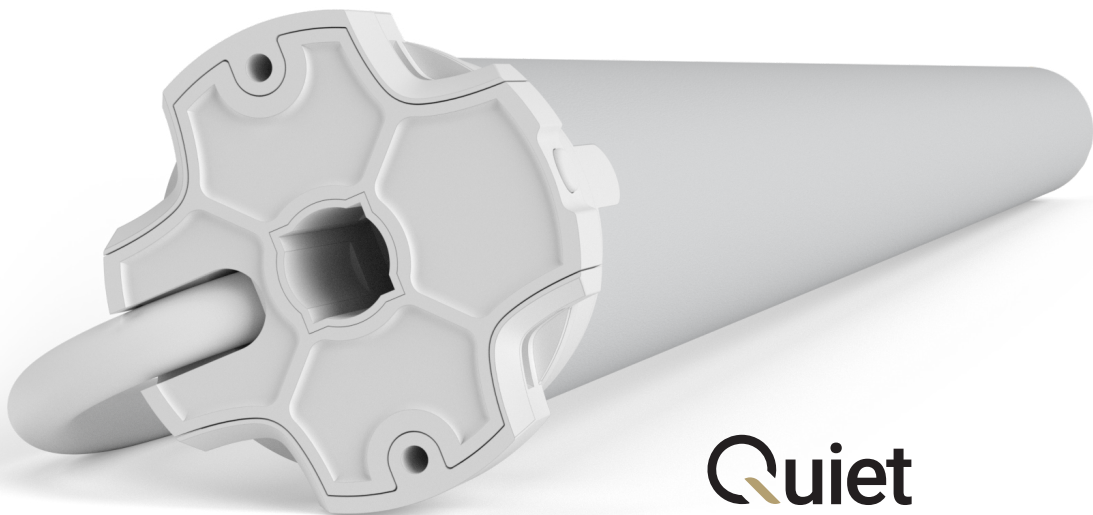
Seamless Upgrades

Swap out mechanical motors effortlessly, with no need for new parts or reinstallation, thanks to the identical fitment of the EL motors.



Enhanced Reliability

The hardwired nature of the EL motors ensures reliable operation with no risk of RF interference from other devices, making them a stable choice for the 4 Channel Motor Controller.



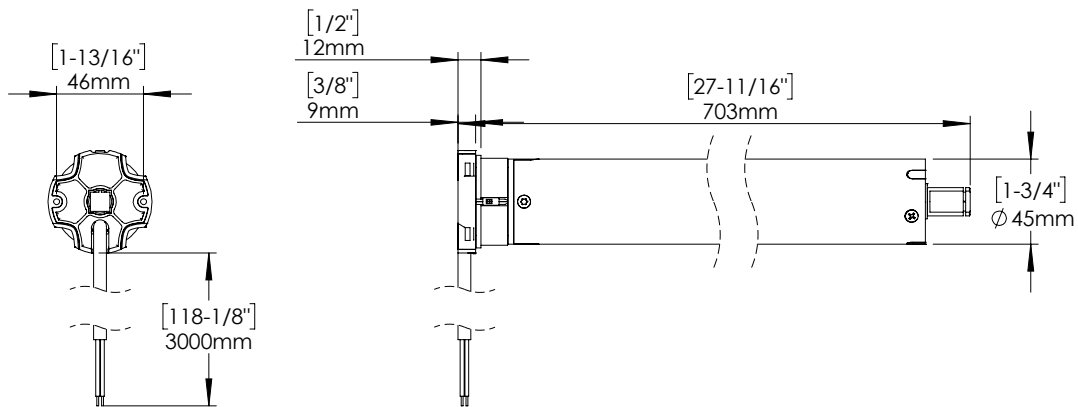
7 YEAR WARRANTY

Product Specifications

Part #: MT01-1045-069001 Automate | AC EL Q Motor [45mm/10.0Nm/21r]

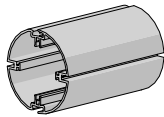
Voltage	120 V ac	Limit Switch Type	Electronic
Torque	10 Nm	Current	1 A
Max Run Time	4 minutes	Temp Working Range	14°F to 122°F (0°C to 50°C)
Speed	21 rpm	Insulation Class	B
IP Rating	IP44	Sound Level	~40 dB
Power	121 W		

Dimensions

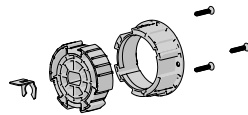


Compatible Parts

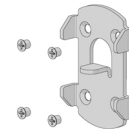
Tubes



Crown & Drives



Adaptors



2-1/2" Tube	MTCRDR-45-2.5
3-1/4" Tubes	MTCRDR-45-3.25
S60 Tube	RB56-0336-050502
63mm Aluminum Tube	RE01-0666-xxx508/ RE01-0666-xxx518
S80 Tube	RB56-0338-050502

- RB56-0701-xxx518
- RB56-0711-069519
- MTAD-45-SL

Compatible Systems

- Veue
- S60 Large Roller Shades

Compatible Products (refer to catalog for full item listings)

Controllers

