

AUTOMATE™

5CH Decorator Wall RF Switch (Flush)

The contemporary designed Automate 5CH Decorator Wall RF Switch (Flush) is perfect for internal motorized commercial shade applications which simply attaches to the wall (no cut-in) for easy installation. The button design can be customized to suit specific project requirements.



CONFIGURABLE CHANNELS

Default five channels available to control individual shade or groups of shades.



COVER PLATE

Available with two decorative plate options, one magnetic which allows the controller to be removed and used anywhere and one fixed offering a wall switch controller.



REMOVABLE CONTROL PANEL

The inner control can be removed and act as a hand held device if required.



RETROFIT

Easily attaches to the wall with no wiring required.



Automate Radio
Communication

7 YEAR
WARRANTY

PRODUCT SPECIFICATIONS

Part #: MTRF-WS5-FLUSH - RF White 5CH Decorator Wall RF Switch (Flush)

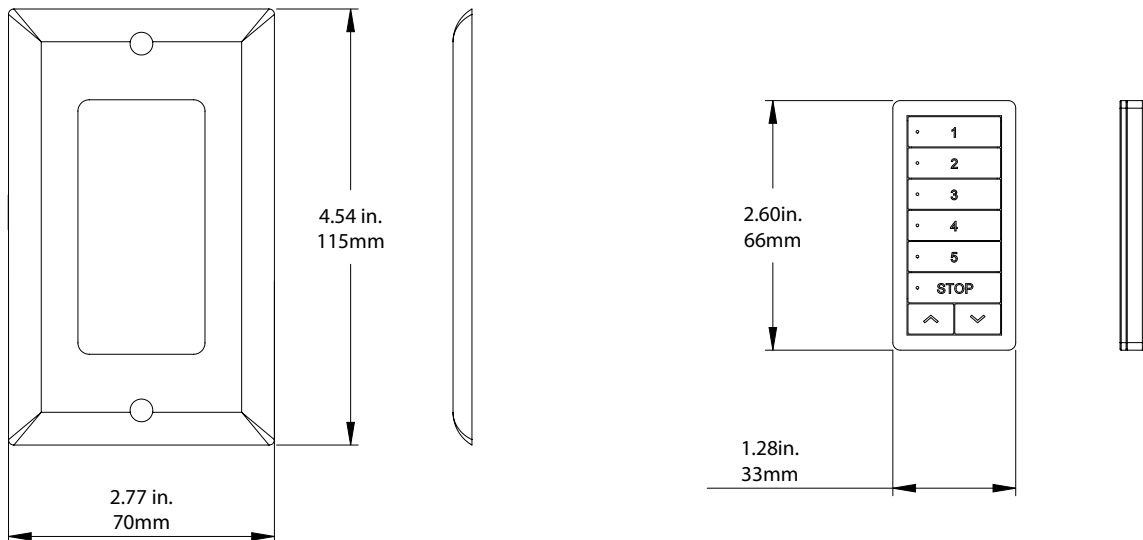
Voltage	3V (CR2430)	Transmission Distance	up to 100m*
Radio Frequency	433.92 MHz		up to 328 ft*
Transmitting Power	10 milliwatt	RF Modulation	FSK
Operating Temperature	-10°C to 50°C	Temp Working Range	Yes
	14°F to 122°F	IP Rating	4X
Legacy Option	NO		

* depending on environment

APPLICATIONS

- Roller Shade
- Roman Shade
- Awning Shade
- Venetian Shade
- Curtain Shade

CUSTOMIZABLE FRAME BUTTON



CUSTOMIZABLE FRAME BUTTON



1. Part #: MT02-0202-069011 - 1CH Button Frame Kit for Flush Switch - Printed
2. Part #: MT02-0202-069012 - 2CH Button Frame Kit for Flush Switch - Printed
3. Part #: MT02-0202-069013 - 3CH Button Frame Kit for Flush Switch - Printed
4. Part #: MT02-0202-069014 - 4CH Button Frame Kit for Flush Switch - Printed
5. Part #: MT02-0202-069015 - 5CH Button Frame Kit for Flush Switch - Printed