

**ZIPSCREEN**

Zipscreen is the ultimate external screening solution for any outdoor area or window. Specially designed for alfresco entertaining areas such as pergolas, verandahs, and balconies, it offers privacy and protection from the sun, wind, rain, and insects all year round. Also ideal for home and office windows, it serves as a sleek, secure, and durable alternative to traditional awnings & outdoor roller shutters. Your custom designed system can be made in widths of up to 5.8 metres or drops up to 4 metres, offering you an external solution to fit almost any area.

**AESTHETIC FEATURES**

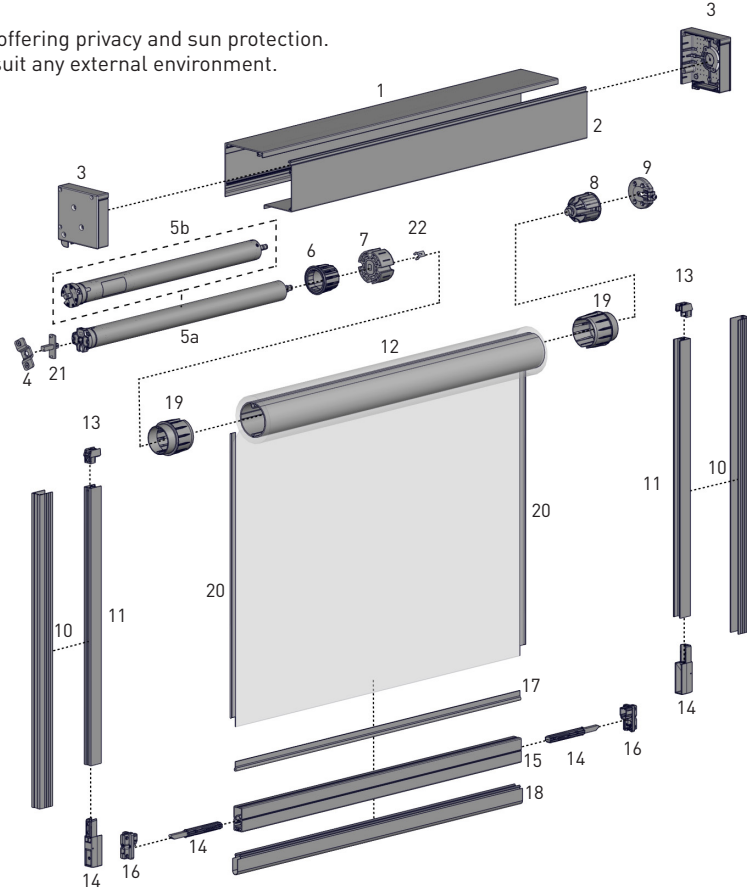
- An ideal solution for enclosing Pergolas, Al Fresco & outdoor entertaining areas offering privacy and sun protection.
- Wide range of standard colours and ability to custom powder-coat extrusions to suit any external environment.
- Choice of open or enclosed roller.
- Sleek and contemporary square cassette box.
- Clean, architectural look.

**ASSEMBLY / INSTALLATION BENEFITS**

- Adjustable side guides to enable installation in out of square areas.
- Choice of F56 or F72 one piece weight bars for easy installation.
- Two piece cassette box for easy installation.
- Choice of 78 aluminium and steel tubes.
- Zipscreen components are interchangeable with the Veue Drop Awnings suite.
- One reducer, and a combined booster and pre tension idler means less inventory.
- End plates overlap the edges of the front and back covers to hide cutting imperfections.
- Hinges are located on the end plates for easy headbox installation.

**FUNCTIONAL BENEFITS**

- A semi-fascia is now available, in addition to a fully-enclosed box or open bracket solution offering multiple configurations
- Improved funnel design to guide zip into channels
- Exterior grade powder coated finish.
- Hidden side retention system to keep fabric secure in channels.
- The stronger F56 weight bar offers more rigidity over wider spans.
- The new one piece F72 heavy duty weightbar offers outstanding performance over large spans
- Choice of weight bar bubble or weather seal strip for uneven floors.
- An all-inclusive end plate set means that cover caps are no longer required. The universal end plate set comes with a pre-notched section that can be 'snapped-off' to accommodate all control options.



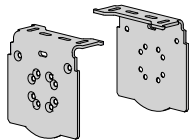
**SYSTEM INDEX**

1	Box 120 Back RE01-0101-xxx580
2	Box 120 Cover RE01-0102-xxx580 - Full RE01-0103-xxx580 - Semi
3	Box 120 End Plate Set RE01-1101-xxx120
4	M50 Motor Bracket + Screws - Universal Motors RE01-0601-025000 - US ONLY
5	Automate FT Electronic Limit Motor a. MT01-1145-06900X - US b. MT01-1145-050001 - AU
6	Automate Crown Wheel RE01-0663-050518
7	Automate Drive Wheel 78mm RE01-0680-050518 - IMPACT DETECTION RE01-0679-050508 - NO IMPACT DETECTION - US ONLY
8	Bearing Idler RE01-0203-050063
9	Idler/Spring Adaptor + Screws RE01-0214-050000
10	Zipscreen I U Mounting Rail SB04-0702-xxxLLL
11	Zipscreen I Zip Inner Rail SB04-0701-xxxLLL
12	Tube 78mm RE01-0378-000580 - Aluminium STD Tube RE01-0379-000700 - Aluminium HD Tube AW92-0901-xxxLLL - Steel
13	Zipscreen I Inner Rail Funnel & Stop Set SB05-1411-050001
14	Zipscreen Ultra Lock Set RE15-0422-050001
15	F56 Weight Bar RE15-0101-xxxLLL
16	F56 Weight Bar Zip End Cap Set RE20-0303-xxx002
17	7mm Fabric Spline with 15mm Tail SB91-0409-050015
18	Ultra Lock Seal SB91-0008-050050
19	Zipscreen Reducer 78   63mm RE20-0301-050078
20	Zip   No.6 Gauge SH91-0135-050200
21	Automate   10mm Square Shaft + Screws   SLIM Motor RE01-0603-025000 - US ONLY
22	Automate   Drive Wheel CLIP for FT Motor MTCLIP-35-45 - US ONLY

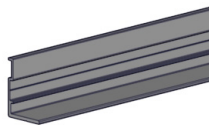
xxx= colour

**SYSTEM OPTIONS**

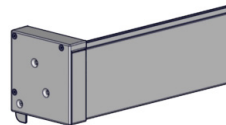
OPEN BRACKETS



L-FIXING RAIL (FACE FIX)

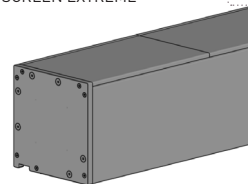


FASCIA



**SYSTEM UPGRADES**

ZIPSCREEN EXTREME



**COLOUR RANGE**



**CONTROL OPTIONS**

MOTORIZED



CRANK GEAR

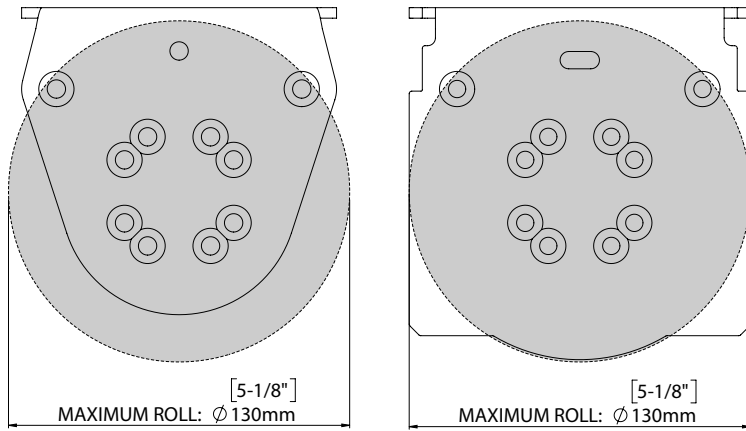


SPRING

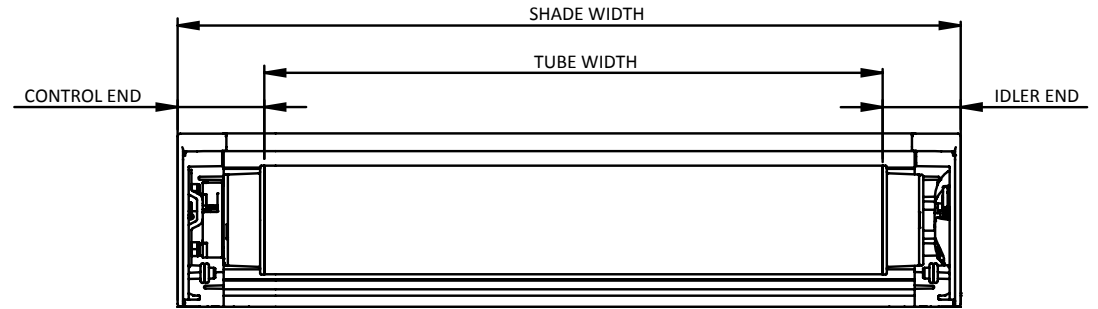


SPECIFICATIONS

MAX ROLL



DEDUCTION



TUBE DEDUCTION	
BOX 120	116mm [4.57"]
OPEN	112mm [4.41"]

\*Add 5mm [0.2"] to deduction when using L-Fixing Rails for Face Fix installations.

SYSTEM CAPACITY

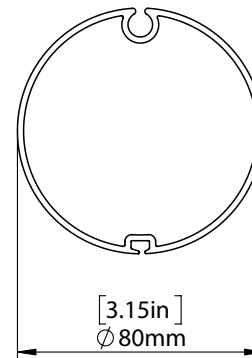
DROP	WIDTH																			ft		
	0.8	1.00	1.25	1.50	1.75	2.00	2.25	2.50	2.75	3.00	3.25	3.50	3.75	4.00	4.25	4.50	4.75	5.00	5.25		5.50	5.75
3																						
4																						
5																						
6																						
7																						
8																						
9																						
10																						
11																						
12																						
13																						

Parameters: 573gsm [16.90 oz/yd<sup>2</sup>] Fabric, F72 Weight Bar + Ballast

CONTROL	TUBE
SPRING   GEAR   MOTOR	78 AL STD / 78 Steel Tube
	78 AL HD

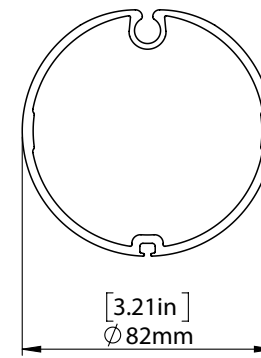
SPRING - Minimum Shade Width = 0.5m [1.6ft] || GEAR - Minimum Shade Width = 0.5m [2ft] || MOTOR - Minimum Shade Width = 0.8m [3ft]

TUBE SPECS



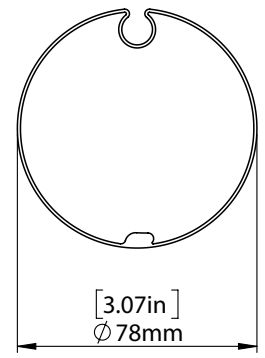
ALUMINIUM TUBE STD 78mm

Code: RE01-0378-000580  
 OD: 80mm [3.15"]  
 Length: 5.8m [19ft]



ALUMINIUM TUBE HD 78mm

Code: RE01-0379-000700  
 OD: 81.6mm [3.21"]  
 Length: 7m [22.9ft]



STEEL TUBE 78mm

Code: AW91-0901-000LLL  
 OD: 78mm [3.07"]  
 Length: 4.8m [16ft]  
 7.0m [22.9ft]