

5V WIREFREE MEDIUM S40/S45 ROLLER SHADE

The S40/45 Roller Automate Wire-Free system offers a battery-powered, motorised solution which requires no electrician, no wiring and no added costs. Featuring USB charging, ultra-quiet operation, soft stop technology & unique battery check functionality which moves the blind down to indicate battery percentage. Pair with the Automate Solar Panel V2 for a sustainable environmentally friendly solution, simply set and forget.

AESTHETICAL FEATURES

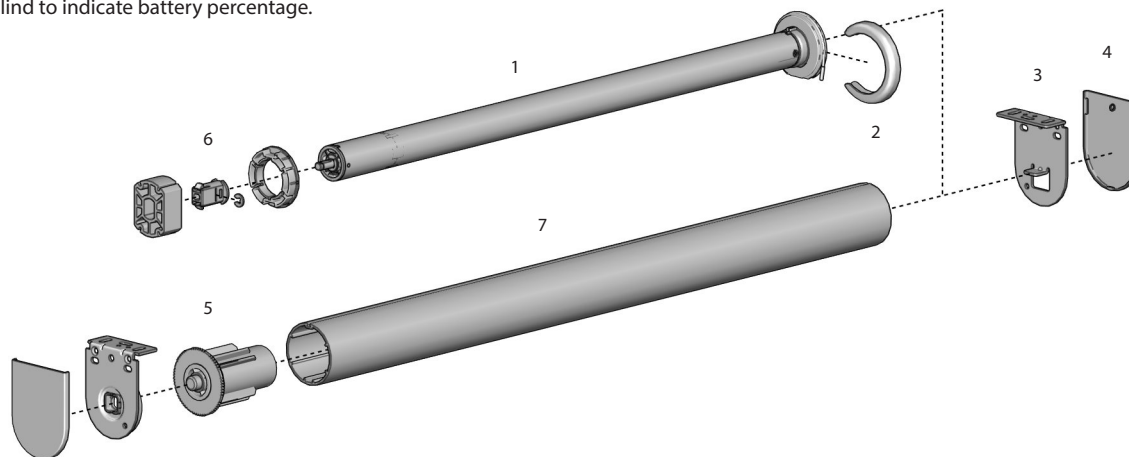
- Minimal light gaps
- Motor head cover cap to conceal wires for a true “wire-free” finish.
- Colour matched end covers

PRODUCTION & ASSEMBLY FEATURES

- Retro-fit solution, turn manual blinds into motorised shades with ease, simply remove winder, insert motor & operate.
- One motor with two adaptable head units for replacing either S45 or Skyline winders.

FUNCTIONAL BENEFITS

- Micro USB 5 volt charging
- Soft Stop technology which slows the blind prior to stopping.
- Patent pending motor head conceals all wires by wrapping them around the head.
- Long lasting battery, get up to 500 cycles per charge
- Battery Check Function moves the blind to indicate battery percentage.



SYSTEM INDEX

1	Automate Li-Ion Zero Motor MT01-1325-069005 - Li-ion 1.1 (SHORT) MT01-1325-069003 - Li-ion 1.1 MT01-1328-069002 - Li-ion 2.0
2	Motor Cap MT03-0305-xxx001
3	Easy-Lock LX Installation Bracket RB08-8353-xxx0## - S40/S45 RB09-0352-xxx0## - S45
4	VX/LX Bracket Cover Caps   S40/S45 RB08-4151-xxx0##
5	Easy-Lock Extendable Idler RB08-0503-xxx040 - RB08 MKII S40/S45 RB09-0245-xxx001 - RB09 S45
6	AUTOMATE Crown & Drive Set MTCRDR-25-S40 - S40 Tube - 1.1Nm Motor MTCRDR-25-S45 - S45 Tubes - 1.1Nm Motor MTCRDR-28-S45 - S45 Tubes - 2.0Nm Motor
7	T-Spline Aluminum Tubes RB93-0440-000580 - S40 STD RB93-0443-000490 - S45 Light RB93-0444-000490 - S45 STD RB93-0449-000490 - S45 HD

# = Size  
xxx = Color

SYSTEM UPGRADES

- PELMET 95
- EASY-LINK
- CF90
- MOUNTING RAIL

COLOUR RANGE

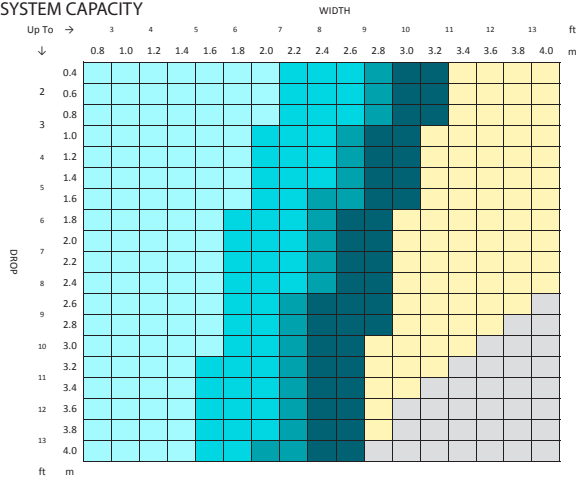


CONTROL OPTIONS      CHARGERS      PRODUCT OPTIONS

<p>REMOTES</p>	<p>WALL SWITCH</p>	<p>SMART HOME</p>	<p>PULSE</p>	<p>ELECTRIC</p>	<p>SOLAR</p>	<p>SUN SENSOR</p>
----------------	--------------------	-------------------	--------------	-----------------	--------------	-------------------

SPECIFICATIONS

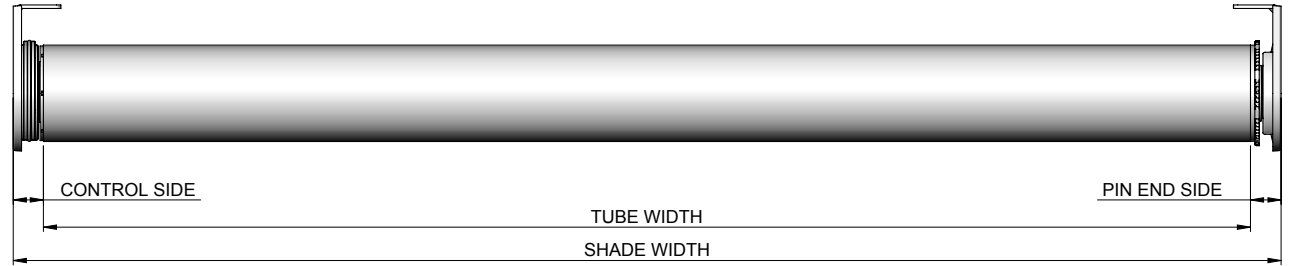
SYSTEM CAPACITY



CONTROL	TUBE	LINK SYSTEM
25mm Motor	S40 STANDARD	LINK SYSTEM
	S45 LIGHT	
	S45 STANDARD	
	S45 HEAVY DUTY	
OUTSIDE SPECIFICATIONS		

Fabric Thickness: 0.024" (0.60mm)  
 Fabric Density: 12.39oz/yd<sup>2</sup> (420gsm)  
 Weight Bar: D30 Silent Medium Aluminium Bottom Rail

DEDUCTION CHART

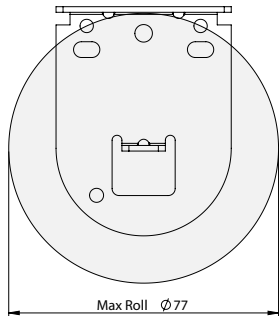


MOTOR	TORQUE	MINIUM BLIND WIDTH [bracket covers]	LIGHT GAP			
			CONTROL [bracket covers]	CONTROL [without covers]	IDLER [bracket covers]	IDLER [without covers]
MT01-1325-069003	1.1Nm	655mm [26"]	15mm [0.59"]	13mm [0.51"]	14mm [0.55"]	13mm [0.51"]
MT01-1325-069005	1.1Nm	580mm [23"]	15mm [0.59"]	13mm [0.51"]	14mm [0.55"]	13mm [0.51"]
MT01-1328-069002	2.0Nm	760mm [30"]	15mm [0.59"]	13mm [0.51"]	14mm [0.55"]	13mm [0.51"]

MOTOR IS SUITABLE FOR RETROFIT INSTALLATION IN EXISTING RB09, RB08 & RB07 SYSTEMS. EXTEND THE MKII IDLER 2MM FOR RB08 & RB07 RETROFIT INSTALLATIONS.

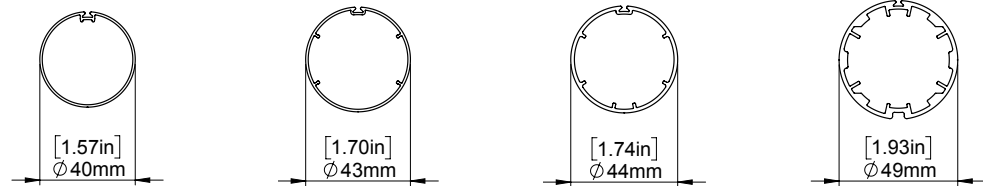
TUBE DEDUCTION = BLIND WIDTH - (CONTROL END LIGHT GAP + PIN END LIGHT GAP)

MAX ROLL



BRACKET	MAX ROLL SIZE
RB09-0352-xxx040	77mm
RB09-0352-xxx055	107mm

TUBE SPECS.



S40 STD Tube\*

Code: RB93-0440-000580  
 w. tape RB93-0440-000582  
 OD: 40mm  
 Length 5.8m

S45 Light Tube

Code: RB93-0443-000490  
 w. tape RB93-6443-000490  
 OD: 43mm  
 Length 5.8m

S45 STD Tube

Code: RB93-0444-000490  
 w. tape RB93-6444-000490  
 OD: 44mm  
 Length 5.8m

S45 HD Tube

Code: RB93-0449-000490  
 w. tape RB93-6449-000490  
 OD: 49mm  
 Length 5.8m

MOTOR	MAX LIFTING CAPACITY				MAX DROP**	
	S40 STD	S45 LT	S45 STD	S45 HD	S40	S45
1.1Nm	5.7Kg	5.2kg	5.1kg	4.6kg	4m	4m
2.0Nm	-	9.4kg	9.2kg	8.3kg	4m	4m

\* Only used with 1.1Nm

\*\* Exceeding this value may cause fabric tracking issues