

Skyline Automate | 28mm

The motorized Skyline roller shade system offers two Automate motors for two tube diameters to suit a variety of applications. Featuring ARC (Automate Radio Communication), the 28mm Skyline Automate system provides an intelligent, Li-ion battery or a DC powered solution.

AESTHETIC FEATURES

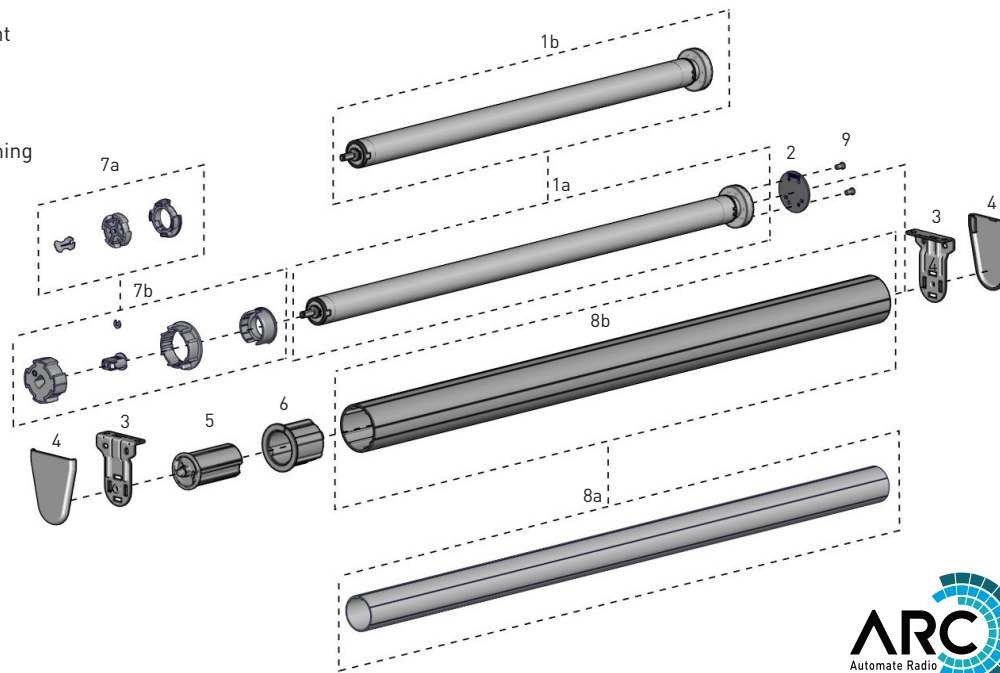
- Slim motor head for minimal light gap

ASSEMBLY / PRODUCTION FEATURES

- Greater flexibility with installation with spring loaded pin end
- Crown, drive and adapters available to suit variety of tube sizes

FUNCTIONAL BENEFITS

- Leveling control
- Simple limit setting and adjustment
- Favorite position
- 3 operational speed settings
- 2-way RF communication
- ARC protocol for simple programming



SYSTEM INDEX

- Automate Motor | 28mm
 - MTDCBRFQ28-2 - Li-ion Q2.0
 - MTDCRFQ28-2 - DCRF Q2.0
- Motor Adapter
MTAD-252835-SL
- Brackets
SLB###x
SLNB###x
- Bracket Covers
SLBC###x
SLNBC###x
- Pin End
SLPEHD53xx
- Adapter
RA2xx
- Crown and Drive Kit
 - MTCRDR-28-1.5 - Kit for 1.5" tube
 - MTCRDR-28-2 - Kit for 2" tube
- Aluminium Tube
 - RTEA4T## - 1.5" tube
 - RTEA5T## - 2" tube
- Screws for Adapter
SLAMSCREW

PRODUCT OPTIONS

SUN SENSOR



SYSTEM UPGRADES

- CASSETTE 80/100/120
- FASCIA 3"/4"/5"
- LINK SYSTEM
- POCKETS 3"/4"/5"/6"

CONTROL OPTIONS

PARADIGM REMOTES



WALL SWITCH



SMART HOME



PULSE



CHARGERS

ELECTRIC

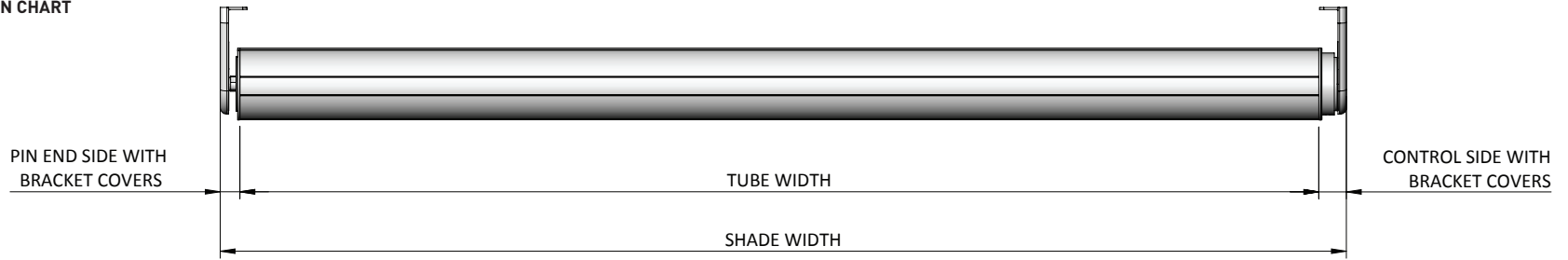


SOLAR



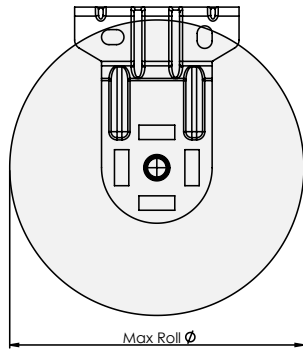
SPECIFICATIONS

DEDUCTION CHART



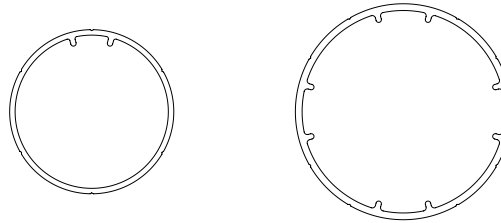
MOTOR	TUBE	BRACKET	PIN END	CONTROL SIDE	OVERALL DEDUCTION
MTDCBRFQ28-2/ MTDCRFQ28-2	1.5" Tube	With Bracket Covers	.59" [15mm]	.79" [20mm]	1.38" [35mm]
		No Bracket Covers	.51" [13mm]	.75" [19mm]	1.26" [32mm]
	2.0" Tube	With Bracket Covers	.55" [14mm]	.75" [19mm]	1.30" [33mm]
		No Bracket Covers	.51" [13mm]	.71" [18mm]	1.22" [31mm]

MAX ROLL



BRACKET	MAX ROLL SIZE
SLxx650xx	2.35" [59.0mm]
SLxx660xx	3" [76.2mm]
SLxx680xx	4" [101.6mm]
SLxx690xx	5" [127.5mm]

TUBE SPECS



1.5" Tube

Code: RTEA4T12
RTEA4T16
OD: 1.5" [38mm]
Length: 12', 16'
[3.66m, 4.88m]

2.0" Tube

Code: RTEA5T12 (with tape)
RTEA5U12
RETA5T16 (with tape)
RTEA5U16
OD: 2.0" [51mm]
Length: 12', 16'
[3.66m, 4.88m]

MAX DROP	
1.5" TUBE	2.0" TUBE
10.17' [3.10m]**	4.59' [1.40m]**
13.12' [4.00m]*	13.12' [4.00m]*

* Recommended Max Drop. Exceeding this value may cause fabric tracking issues
** SLxx650xx ONLY

28mm SYSTEM CAPACITY

