

**Skyline Automate | 25mm**

The motorized Skyline roller shade system offers two Automate motors for two tube diameters to suit a variety of applications. Featuring ARC (Automate Radio Communication), the 25mm Skyline Automate system provides an intelligent, Li-ion battery or a DC powered solution.

**AESTHETIC FEATURES**

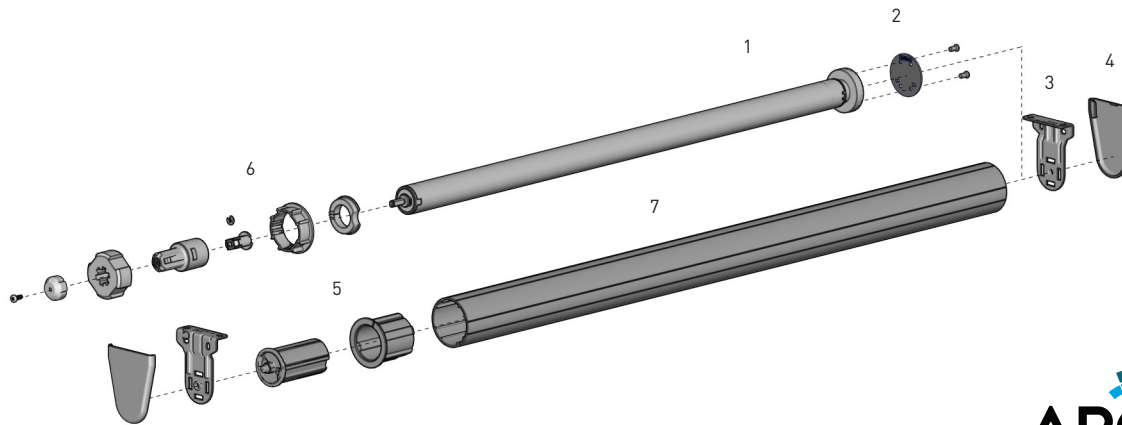
- Slim motor head for minimal light gap

**ASSEMBLY / PRODUCTION FEATURES**

- Greater flexibility with installation with spring loaded pin end
- Crown, drive and adapters available to suit two tube sizes

**FUNCTIONAL BENEFITS**

- Leveling control
- Simple limit setting and adjustment
- Favorite position
- 3 operational speed settings
- 2-way RF communication
- ARC protocol for simple programming



**SYSTEM INDEX**

- 1 Automate Motor | 25mm  
a. MTDCBRF25-1.1 - Li-ion 1.1  
b. MTDCRF25-1.1 - DCRF 1.1
- 2 Motor Adapter  
MTAD-252835-SL
- 3 Brackets  
SLB###x  
SLNB###x
- 4 Bracket Covers  
SLBC###x  
SLNBC###x
- 5 Pin End & Adapter  
SLPEV03xx  
SLPEHD53xx
- 6 Crown and Drive Kit  
MTCRDR-25-1.25 - Kit for 1.25" Tube  
MTCRDR-25-1.5 - Kit for 1.5" tube
- 7 Aluminium Tube  
RTEA3T## - 1½" tube  
RTEA4T## - 1½" tube
- 8 Screws for Adapter  
SLAMSCREW

# - Size  
xxx- Color

**PRODUCT OPTIONS**

SUN SENSOR



**SYSTEM UPGRADES**

- CASSETTE 80/100/120
- FASCIA 3"/4"/5"
- LINK SYSTEM
- POCKETS 3"/4"/5"/6"

**CONTROL OPTIONS**

PARADIGM REMOTES



WALL SWITCH



SMART HOME



PULSE



**CHARGERS**

ELECTRIC

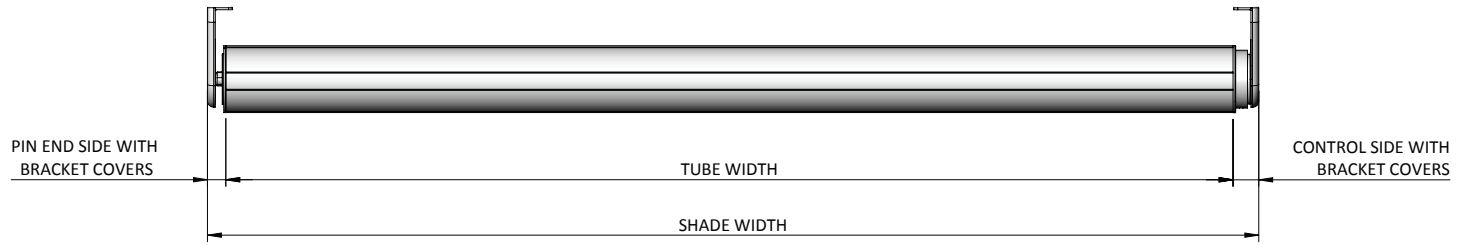


SOLAR



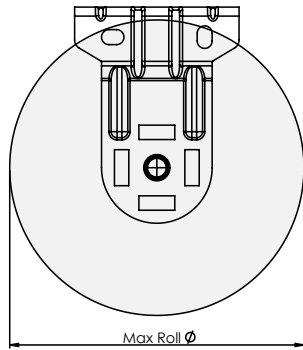
SPECIFICATIONS

DEDUCTION CHART



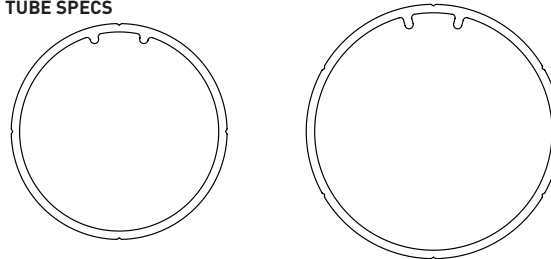
MOTOR	TUBE	BRACKETS	PIN END	CONTROL SIDE	OVERALL DEDUCTION
MTDCBRF25-1.1/ MTDCRF25-1.1	1 1/4" Tube	With Bracket Covers	.55" [14mm]	.83" [21mm]	1.34" [35mm]
		No Bracket Covers	.51" [13mm]	.75" [19mm]	1.26" [32mm]
	1 1/2" Tube	With Bracket Covers	.59" [15mm]	.83" [21mm]	1.42" [36mm]
		No Bracket Covers	.55" [14mm]	.75" [19mm]	1.30" [33mm]

MAX ROLL



BRACKET	MAX ROLL SIZE
SLNBxx650xx	2.35" [59.0mm]
SLxx660xx	3" [76.2mm]
SLxx680xx	4" [101.6mm]
SLxx690xx	5" [127.5mm]

TUBE SPECS



1 1/4" Tube

Code: RTEA3T12 (with tape)  
RTEA3T16 (with tape)  
OD: 1 1/4" [33mm]  
Length: 12', 16'  
(3.66m, 4.88m)

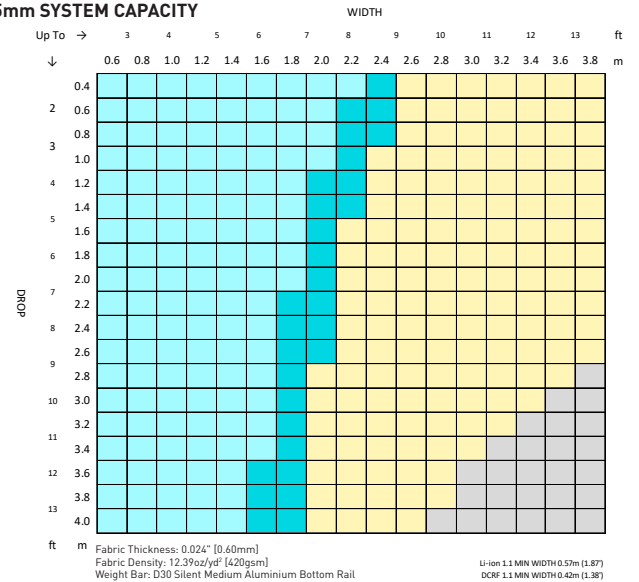
1 1/2" Tube

Code: RTEA4T12 (with tape)  
RTEA4U12  
RTEA4T16 (with tape)  
RTEA4U16  
OD: 1 1/2" [38mm]  
Length: 12', 16'  
(3.66m, 4.88m)

MAX DROP	
1 1/4" Tube	1 1/2" Tube
10.33' [3.15m]	8.56' [2.61m]
13.12' [4.00m]*	13.12' [4.00m]*

\* Recommended Max Drop. Exceeding this value may cause fabric tracking issues  
\*\* SLxx650xx ONLY

25mm SYSTEM CAPACITY



CONTROL	TUBE	LINK SYSTEM
25mm Motor	RTEA3T## - 1.25"	1.5" ONLY
	RTEA4T## - 1.5"	
	OUTSIDE SPECIFICATIONS	