

Skyline 3.0Nm | 35mm | 12V

The 35mm 3.0Nm Skyline roller shade system offers a motorized solution to suite a variety of applications. Featuring ARC (Automate Radio Communication), the 35mm 3.0Nm Skyline system provides an intelligent, Li-ion battery or DC powered solution.

AESTHETICAL FEATURES

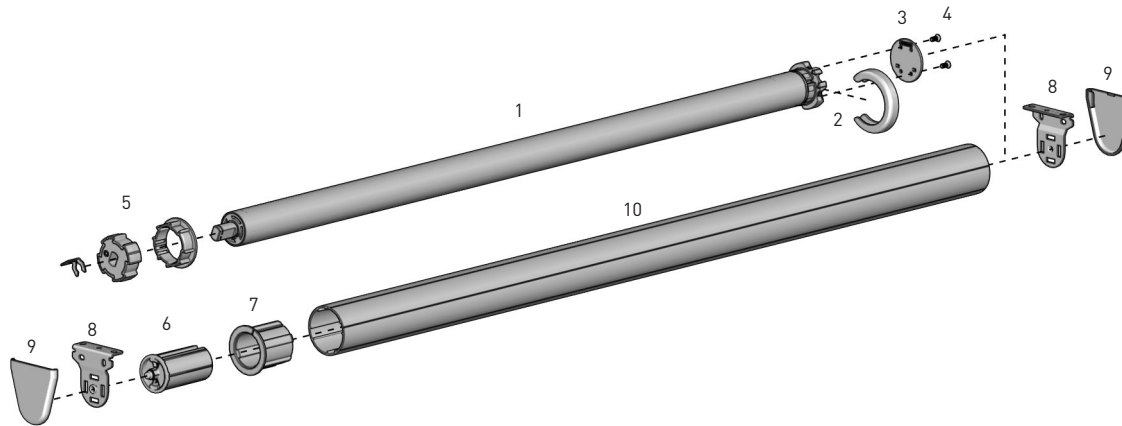
- Slim motor head for minimal light gap

PRODUCTION & ASSEMBLY FEATURES

- Crown, drive and adaptors available to suit variety of applications
- Greater flexibility with installation with spring loaded pin end

FUNCTIONAL BENEFITS

- Levelling control
- Simple limit setting and adjustment
- Favorite position
- 3 operational speed settings
- 2-WAY RF communication
- ARC protocol for simple programming

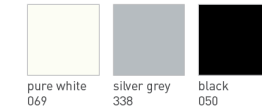


SYSTEM INDEX

1	Automate Motor 35mm MTDCBRF35-3
2	Motor Cap MTCAP-35-xx
3	Motor Adaptor MTAD-252835-SL
4	Screws for Adaptor SLAMSCREW
5	Crown & Drive Kit MTCRDR-35-2
6	Pin End SLPEHD53xx
7	Adaptor RA2xx
8	Brackets SLB###x SLNB###x
9	Bracket Covers SLBC###x SLNBC###x
10	Aluminum Tube RTEA5T##

- Size
xxx= Color

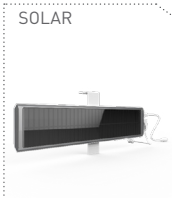
COLOUR RANGE



SYSTEM UPGRADES

- CASSETTE 80/100/120
- FASCIA 3"/4"/5"
- LINK SYSTEM
- POCKETS 3"/4"/5"/6"

CONTROL OPTIONS

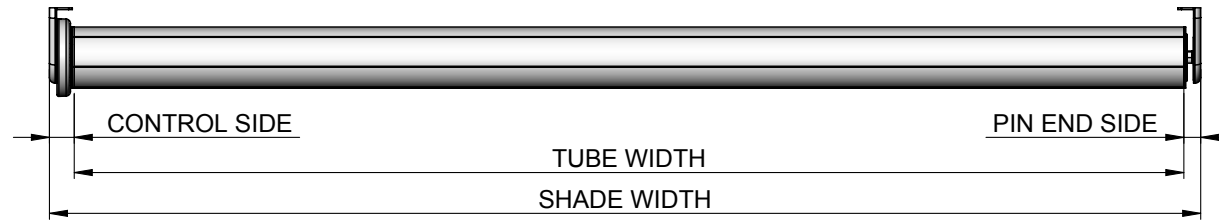


PRODUCT OPTIONS



SPECIFICATIONS

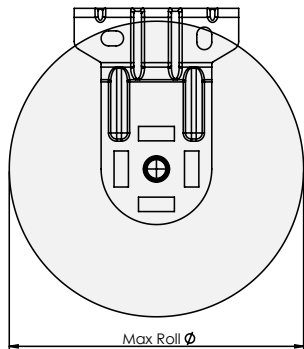
DEDUCTION CHART



MOTOR	TUBE	BRACKETS	LIGHT GAP		
			CONTROL END	PIN END	OVERALL
MTDCBRF35-3	2"	With Covers	0.79" [20mm]	0.55" [14mm]	1.34" [34mm]
		No Covers	0.75" [19mm]	0.51" [13mm]	1.22" [31mm]

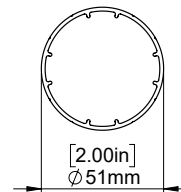
MINIMUM SHADE WIDTH	
MTDCBRF35-3	2.30' [0.700m]

MAX ROLL



BRACKET	MAX ROLL SIZE
SLNBxx650xx	2-3/8" [59mm]
SLxx660xx	3" [76mm]
SLxx680xx	4" [102mm]
SLxx690xx	5" [128mm]

TUBE SPECS.



2" Tube

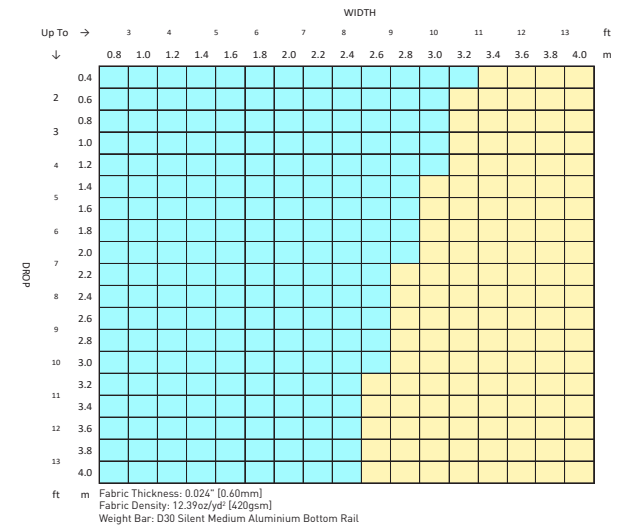
Code: RTEA5T12 (with tape)
RTEA5U12
RTEA5T16 (with tape)
RTEA5U16

Length 12', 16'
(3.66m, 4.88m)

2" TUBE	
@ WIDTH	MAX DROP
9.8' [3.00m]	3.9' [1.20m]
7.9' [2.40m]	13.1' [4.00m]*

* Recommended Max Drop. Exceeding this value may cause fabric tracking issues

SYSTEM CAPACITY



CONTROL	TUBE	LINK SYSTEM
35mm Tube	RTEA5T/W - 2.0"	