

**S35 AUTOMATE WIREFREE**

The Rollease Acmeda S35 wirefree motorized roller shade system offers the flexibility of two tubes and AUTOMATE | Li-ion motors to suit a wide range of applications. Featuring ARC (Automate Radio Communication), the S35 system with AUTOMATE | Li-ion motors provide an intelligent, battery powered solution. The addition of an optional solar panel provides efficient and autonomous energy harvesting capability for completely wirefree operation.

**AESTHETICAL FEATURES**

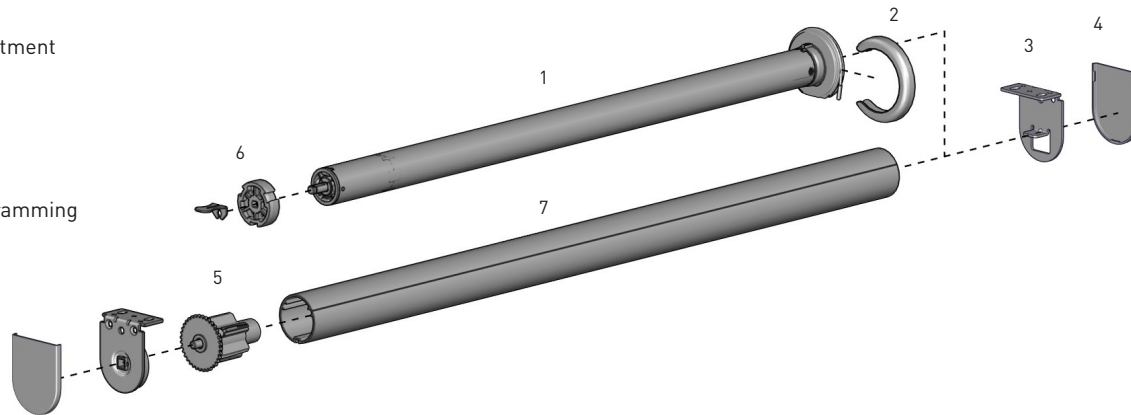
- Thinner Motor Head
- Recessed mounting hooks

**PRODUCTION & ASSEMBLY FEATURES**

- Greater flexibility with installation with spring loaded pin end
- Crown, drive and adapters available to suit multiple tube sizes
- Smaller Motor end deduction

**FUNCTIONAL BENEFITS**

- 5V Micro USB Charging
- Antennae Wire Retention Feature
- Levelling control
- Simple limit setting and adjustment
- Favorite position
- 3 operational speed settings
- 2-WAY RF communication
- ARC protocol for simple programming



**NOTE:**  
\*\*\*\*\*

**SYSTEM INDEX**

<b>Automate Motor</b>	
1	MT01-1325-069005 - Wire-Free Li-ion Zero Q1.1 MT01-1325-069003 - Wire-Free Li-ion Zero Q1.1 (Short) MTDCBRF25-1.1 - Li-ion 1.1
<b>Motor Cap</b>	
2	MT03-0502-xxx001 (Li-ion Zero Q1.1) MTCAP-25-W (Li-ion 1.1)
<b>Easy-Lock LX Installation Brackets   S35</b>	
3	RB08-8346-xxx030
<b>VX/LX Bracket Cover Caps   S35</b>	
4	RB08-4141-xxx030
<b>Easy-Lock AC Auto Idler   S35</b>	
5	RB08-0501-xxx034
<b>AUTOMATE Crown &amp; Drive Set   25mm</b>	
6	MTCRDR-25-S35
<b>T-Spline Aluminum Tubes   S35</b>	
7	RB93-0333-000580 - STD RB93-0335-000580 - HD

# = Size  
xxx = Color

**SYSTEM UPGRADES**

- CASSETTE 75/90
- MOUNTING RAIL

**CONTROL OPTIONS      CHARGERS      PRODUCT OPTIONS      COLOUR RANGE**

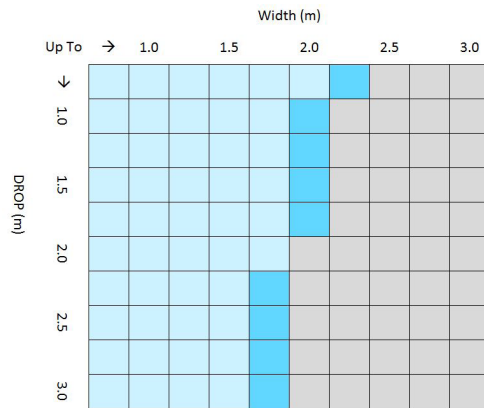
<p><b>REMOTES</b></p>	<p><b>WALL SWITCH</b></p>	<p><b>SMART HOME</b></p>	<p><b>PULSE</b></p>	<p><b>ELECTRIC</b></p>	<p><b>SOLAR</b></p>	<p><b>SUN SENSOR</b></p>
-----------------------	---------------------------	--------------------------	---------------------	------------------------	---------------------	--------------------------

pure white 069	silver grey 338	black 050



**SPECIFICATIONS**

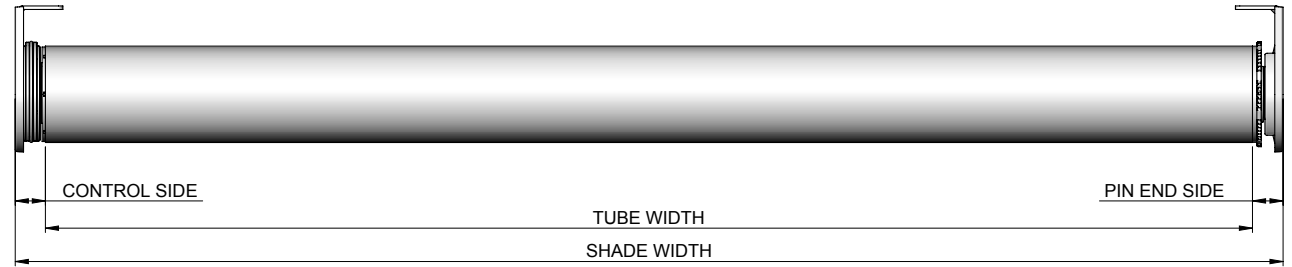
**1.1Nm SYSTEM CAPACITY**



Fabric Thickness: 0.024" [0.60mm]  
 Fabric Density: 12.39oz/yd² [420gsm]  
 Weight Bar: D30 Silent Medium Aluminium Bottom Rail

CONTROL	TUBE
S35 WIREFREE	S35 HD / STD
	S35 HD
	OUTSIDE SPECIFICATIONS

**DEDUCTION CHART**



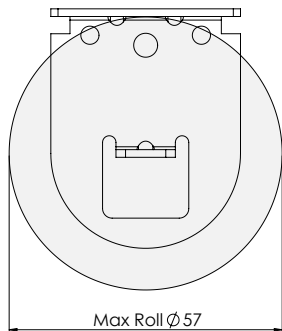
MOTOR	TORQUE	MINIMUM SHADE WIDTH [bracket covers]	LIGHT GAP			
			IDLER [bracket covers]	IDLER [without covers]	CONTROL [bracket covers]	CONTROL [without covers]
MT01-1325-069003	1.1Nm	650mm [26"]*	14mm [0.55"]	13mm [0.51"]	13mm [0.51"]**	12mm [0.47"]
MT01-1325-069005	1.1Nm	575mm [23"]*	14mm [0.55"]	13mm [0.51"]	13mm [0.51"]**	12mm [0.47"]
MTDCBRF25-1.1	1.1Nm	350mm [14"]*	14mm [0.55"]	13mm [0.51"]	16mm [0.63"]	15mm [0.59"]

\* Subtract 2mm [1/16"] for with-out bracket covers

\*\* Add 1mm [1/32"] for use with motor Cap

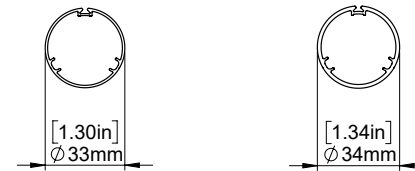
TUBE DEDUCTION = SHADE WIDTH - (CONTROL END LIGHT GAP + PIN END LIGHT GAP)

**MAX ROLL**



BRACKET	MAX ROLL SIZE
RB08-8346-xxx030	57mm

**TUBE SPECS.**



**S35 STD Tube**

Code: RB93-0333-000580  
 w. tape RB93-6333-000580  
 OD: 33mm  
 Length 5.8m

**S35 HD Tube**

Code: RB93-0335-000580  
 w. tape RB93-6335-000580  
 OD: 34mm  
 Length 5.8m

MOTOR	MAX LIFTING CAPACITY		MAX DROP*
	S35 STD	S35 HD	S35
1.1Nm	5.5kg	5.3kg	2.7m

\* Exceeding this value may cause fabric tracking issues