

R-Series 3.0Nm | 35mm | 12V

The motorized R-Series roller shade system offers a range of four Automate motors with one tube diameter to suit a variety of applications. Featuring ARC (Automate Radio Communication), the 35mm R-Series Automate system provides an intelligent, Li-ion battery, AC, or a DC powered solution.

AESTHETIC FEATURES

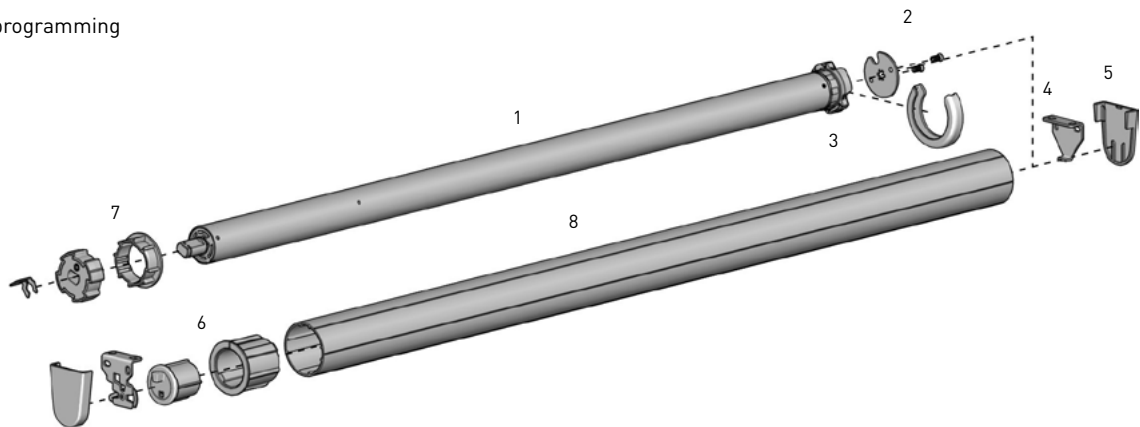
- Slim motor head for minimal light gap

ASSEMBLY / PRODUCTION FEATURES

- Crown, drive and adapters available to suit variety applications

FUNCTIONAL BENEFITS

- Leveling control
- Simple limit setting and adjustment
- Favorite position
- 3 operational speed settings
- 2-way RF communication
- ARC protocol for simple programming



SYSTEM INDEX

1	Automate Motor 35mm MTDCBRF35-3 - Li-ion 3.0 MTDCRF35-3 - DCRF 3.0 MTACRF35-6 - ACRF 6 MTACQRF35-6 - ACRF Q6
2	Motor Adaptor + Screws MTAD-252835-RS + SLAMSCREW
3	Motor Cap MTCAP25xx
4	Brackets RB360xx - R8 1½" Set RB380xx - R8 2" Set RB390xx - R8 2-7/8" Set
5	Bracket Covers RBPC360xx RBPC380xx
6	Pin End + Adapter REP53xx + RA2xx - for 2" tube
7	Crown and Drive Kit MTCRDR-35-2 - Kit for 2" tube
8	Aluminum Tube RTEA5T## - 2" tube

- Size
xxx= Color

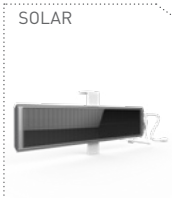
COLOR RANGE



SYSTEM UPGRADES

- CASSETTE 80/100/120
- FASCIA 3"/4"/5"
- LINK SYSTEM
- POCKETS 3"/4"/5"/6"

CONTROL OPTIONS

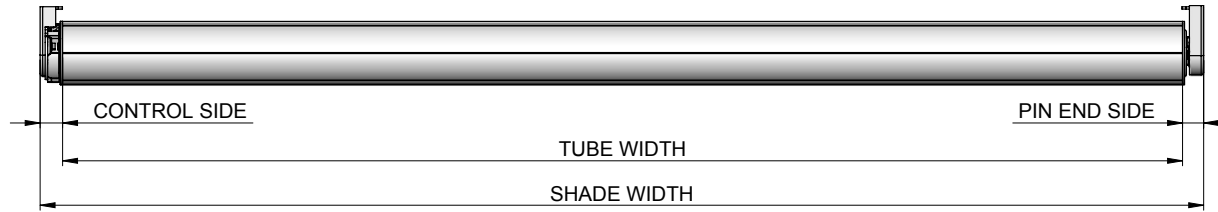


PRODUCT OPTIONS



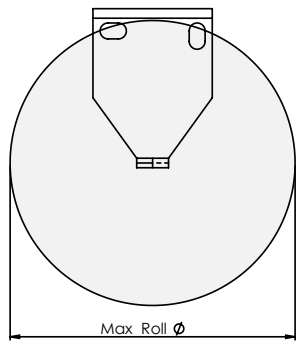
SPECIFICATIONS

DEDUCTION CHART



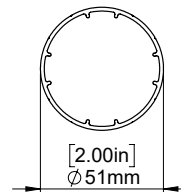
MOTOR	TUBE	BRACKETS	LIGHT GAP			MINIMUM SHADE WIDTH	
			CONTROL END	PIN END	OVERALL		
MTDCBRF35-3/ MTDCRF35-3/ MTACRF35-6/ MTACQRF35-6	2"	With Covers	0.71" [18mm]	0.67" [17mm]	1.38" [35mm]	MTDCBRF35-3	3.28' [1.00m]
			0.63" [16mm]	0.59" [15mm]	1.22" [31mm]	MTDCRF35-3	2.00' [0.60m]
		No Covers				MTACRF35-6	2.40' [0.73m]
						MTACQRF35-6	2.30' [0.70m]

MAX ROLL



BRACKET	MAX ROLL SIZE
RB360xx	2.57" [69mm]
RB380xx	3.65" [92mm]
RB390xx	4.00" [101mm]

TUBE SPECS.



2.0" Tube

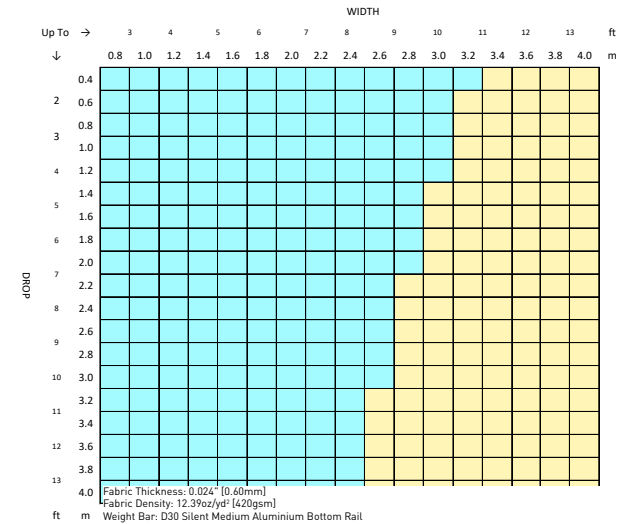
Code: RTEA5T12 (with tape)
RTEA5U12
RETA5T16(with tape)
RTEA5U16

Length 12',16'
[3.66m, 4.88m]

2" TUBE	
Ø WIDTH	MAX DROP
10.50' [3.20m]	1.31' [0.40m]*
7.87' [2.40m]	13.12' [4.00m]*

* Recommended Max Drop. Exceeding this value may cause fabric tracking issues

SYSTEM CAPACITY



CONTROL	TUBE	LINK SYSTEM
35mm Tube	RTEA5## - 2.0"	

R-Series 3.0Nm | 35mm

The 35mm 3.0Nm R-Series roller shade system offers a motorized solution to suite a variety of applications. Featuring ARC (Automate Radio Communication), the 35mm 3.0Nm R-Series system provides an intelligent, Li-ion battery powered solution.

AESTHETICAL FEATURES

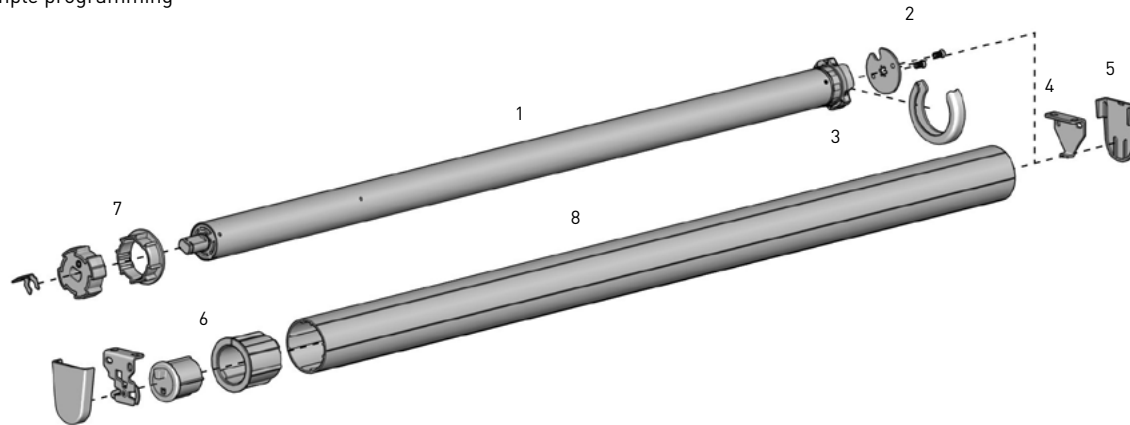
- Slim motor head for minimal light gap

PRODUCTION & ASSEMBLY FEATURES

- Suitable to a variety of applications

FUNCTIONAL BENEFITS

- 5V micro USB charging
- Levelling control
- Simple limit setting and adjustment
- Favorite position
- 3 operational speed settings
- 2-WAY RF communication
- ARC protocol for simple programming



SYSTEM INDEX

1	Automate Motor 25mm MT01-1335-069001 - Li-ion 3.0
2	Motor Adaptor + Screws MTAD-252835-RS + SLAMSCREW
3	Motor Cap MTCAP25xx
4	Brackets RB360xx RB380xx RB390xx
5	Bracket Covers RBPC360xx RBPC380xx
6	Pin End & Adaptor REP53xx + RA2
7	Crown and Drive Kit MTCRDR-35-2
8	Aluminum Tube RTEA5T## - 2" tube

- Size
xxx= Color

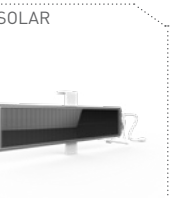
COLOR RANGE



SYSTEM UPGRADES

- CASSETTE 80/100/120
- FASCIA 3"/4"/5"
- LINK SYSTEM
- POCKETS 3"/4"/5"/6"

CONTROL OPTIONS

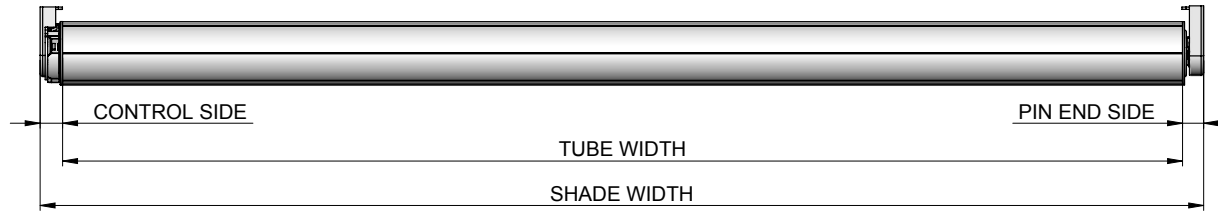


PRODUCT OPTIONS



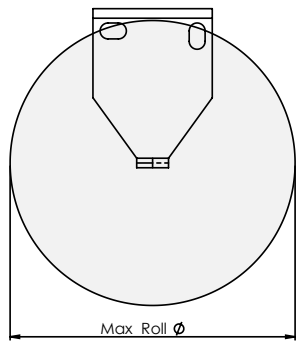
SPECIFICATIONS

DEDUCTION CHART



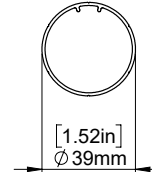
MOTOR	TUBE	BRACKETS	LIGHT GAP				MINIMUM SHADE WIDTH	
			CONTROL END	PIN END	OVERALL			
MT01-1335-069001	2"	With Covers	0.71" [18mm]	0.67" [17mm]	1.38" [35mm]		MT01-1335-069001	3.07' [0.935m]
		No Covers	0.63" [16mm]	0.59" [15mm]	1.22" [31mm]			

MAX ROLL



BRACKET	MAX ROLL SIZE
RB360xx	2.57" [69mm]
RB380xx	3.65" [92mm]
RB390xx	4.00" [101mm]
RB560xx	3.00" [76mm]
RB580xx	4.00" [101mm]
RB590xx	5.50" [139mm]

TUBE SPECS.



2.0" Tube

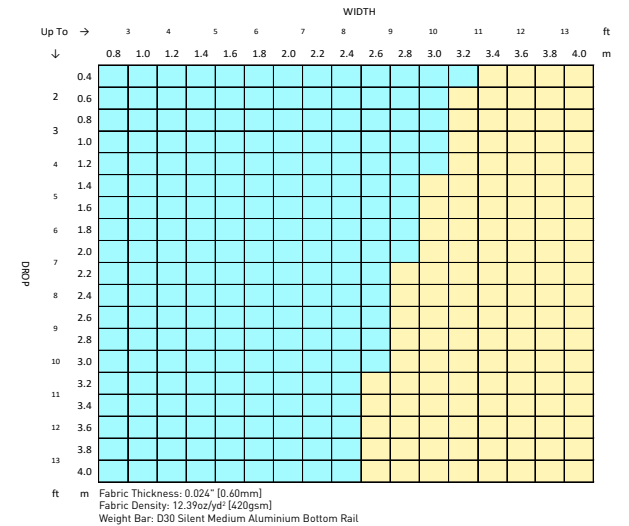
Code: RTEA5T12 (with tape)
 RTEA5U12
 RETA5T16 (with tape)
 RTEA5U16

Length 12', 16'
 (3.66m, 4.88m)

2" TUBE	
Ø WIDTH	MAX DROP
10.50' [3.20m]	1.31' [0.40m]*
7.87' [2.40m]	13.12' [4.00m]*

* Recommended Max Drop. Exceeding this value may cause fabric tracking issues

SYSTEM CAPACITY



CONTROL	TUBE	LINK SYSTEM
35mm Tube	RTEA5T# - 2.0"	