

AUTOMATE™

QUICK START GUIDE Automate™ Homeseer INTEGRATION SUPPORT



AUTOMATE PULSE PRO OVERVIEW

Elevate your Automate experience by seamlessly integrating Automate motorized shades with Homeseer Control Systems. The Automate Pulse PRO offers a powerful integration with discrete shade control and two-way communication, providing real-time updates on shade position and battery levels. Featuring both Ethernet (CAT 5) and 2.4GHz wireless connectivity, the Pulse PRO ensures smooth home automation integration through an easy-to-access RJ45 port located on the back of the hub. Each hub supports up to 30 shades, making it a versatile solution for any home automation setup.

PROPERTIES:

HomeSeer Version	HS3
Developer	annex4
Initial Release Date	06/06/2019
Last Modified Date	06/06/2019
Support Email	automate@rolleseeacmeda.com

OVERVIEW & SUPPORTED FEATURES:

The Automate app plug-in allows you to control Rollease Acmeda shades connected to a Pulse PRO hub (IP). It will automatically discover shades on the hub and configure HomeSeer devices for them. It also shows accurate positioning in real time.

THE FOLLOWING OPTIONS ARE SUPPORTED BY THIS DRIVER:

- Realtime two-way TCP communication.
- Discrete positioning of the shade.
- Open, Close, and Stop commands for the motor position.
- Open, Close, and Stop commands for the motor rotation.
- Supports multiple instances of the driver for multiple hubs.

AUTOMATE PULSE PRO HUB CONFIGURATION:

The hub will need to be installed and configured with the Automate Shades App. All shades should be configured with the Automate Pulse application before starting the installation of the HOMESEER driver. Please refer to the Automate Shades App for step by step instructions on how to add shades to your hub.

PLUGIN INSTALATION:

As with all third-party drivers these do not reside in the typical listing of drivers from HOMESEER. To run this driver, follow the step below:

- 1) Place the "HSPI_AutomateV2.exe" in the HomeSeer installation directory.
 - a) Where HomeSeerAPI.dll resides
- 2) Start HomeSeer or Restart HomeSeer if it's already running.
- 3) Navigate to the PLUG-INS tab.

Interfaces and Add Ons 2019-06-19 7:37:39 PM Sunrise: 5:07 AM Sunset: 8:22 PM User: default HomeSeer

HOME VIEW TOOLS PLUG-INS

Installed Plug-ins Developer Mode

Plug-In	Instance	Enable	COM Port	Version	Update	License (click to change)	Plug-in Status
HSTouch (Built-In)		See Setup				N/A	
Automate Pulse v1			COM3	1.0.0.0	N/A	Included	Disabled
Automate Pulse v2			N/A	1.0.0.0	N/A	Included	OK

Additional Interfaces

Home | Device Status | Device Management | Events | Log | Setup | Global Elements | Control Panel | Manage Plug-ins | About

- 4) Make sure "Automate Pulse" is showing in the list.
- 5) Click the enable slider to enable the plugin.
- 6) Go to the settings page to enter an IP address.

Interfaces and Add Ons 2019-06-06 9:17:57 AM Sunrise: 5:08 AM Sunset: 8:16 PM User: default HomeSeer

HOME VIEW TOOLS PLUG-INS

Installed Plug-ins Developer Mode

Plug-In	Instance	Enable	COM Port	Version	Update	License (click to change)	Plug-in Status
HSTouch (Built-In)		See Setup				N/A	
Automate Pulse v1							
Automate Pulse v2							

Manage
Automate Pulse v1 >
Automate Pulse v2 > Settings

- 7) Enter an IP address into the "IP Address" value field.

Rollase Automate Setting... 2019-06-06 9:18:35 AM Sunrise: 5:08 AM Sunset: 8:16 PM User: default HomeSeer

HOME VIEW TOOLS PLUG-INS

Settings

Name	Value
IP Address	192.168.1.233
MAC Address	24:0a:c4:27:71:7c
Serial Number	1000106
Motor Discovery	<input type="button" value="Discover"/>

- 8) The driver should automatically pull in the MAC Address and Serial Number.
- 9) Press 'Discover' to discover the shades connected to the hub and create shade devices.

HomeSeer Web Control 2019-06-19 7:38:31 PM Sunrise: 5:07 AM Sunset: 8:22 PM User: default HomeSeer

HOME VIEW TOOLS PLUG-INS

Device List Sorted by Room, Descending Turn Off Sorting

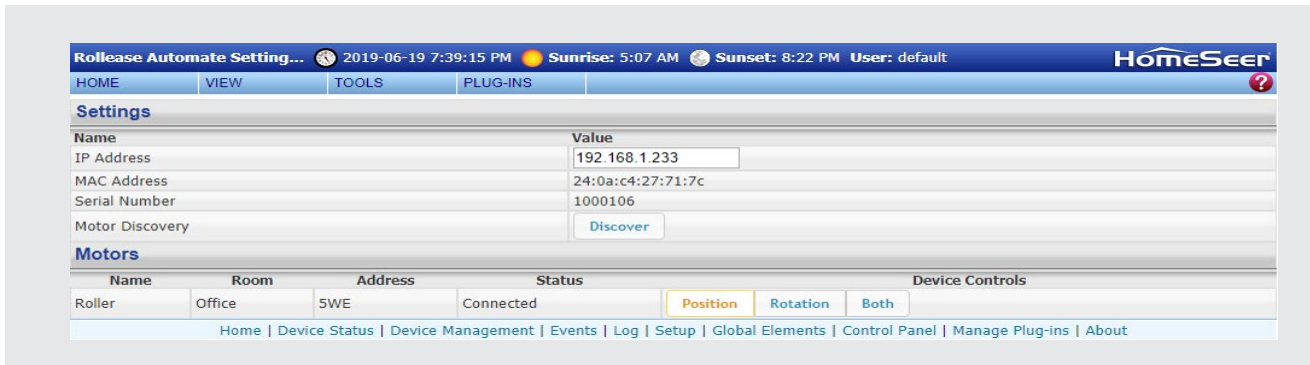
Display Filters: Floor Room Device Type Show All

Status	Floor	Room	Name	Last Change	Control
<input type="checkbox"/>	Rollase	Hub	226	2019-06-06 12:55:05 PM	
<input type="checkbox"/> 45%	Rollase	Shade	Shade 001 - Position	2019-06-06 12:55:06 PM	<input type="button" value="Open"/> <input type="button" value="Close"/> <input type="button" value="Stop"/>
<input type="checkbox"/>	Rollase	Hub	192.168.1.233	Today 7:27:31 PM	
<input type="checkbox"/> 6%	Rollase	Shade	Shade 5WE - Position	Today 7:27:31 PM	<input type="button" value="Open"/> <input type="button" value="Close"/> <input type="button" value="Stop"/>

Home | Device Status | Device Management | Events | Log | Setup | Global Elements | Control Panel | Manage Plug-ins | About

- 10) The settings page will list all shades connected to the hub.
 - a) If "Status" shows "Disconnected" you may need to re-pair the shade to the hub through the Automate Pulse app.

- 11) The Controls section of each shade will allow you to create devices that allow you to move or rotate the motor position.
 - a) By default, all shades allow motor positioning but not rotation.
 - b) To enable rotation select 'Rotation or 'Both'.



DEVICES:

1. Automate Pulse PRO Hub Root Devices
 - The root device for a hub.
2. Shade Movement Devices
 - Child devices that allow control over motor movement.
 - Supports Open, Close, and Stop commands.
3. Shade Rotation Devices
 - Child devices that allow control over motor rotation.
 - Supports Open, Close, and Stop commands.

SETTINGS:

The Settings page allows you to view all discovered hubs and shades. It also allows you to discover shades added after initial installation of the plug-in. Discovering new shades can be done by clicking the "Discover" button. Once clicked the plug-in will search for all hubs and shades and add new devices and entries for any shades or hubs that don't already exist. You can also enable or disable certain shade devices by selecting a shade control option.

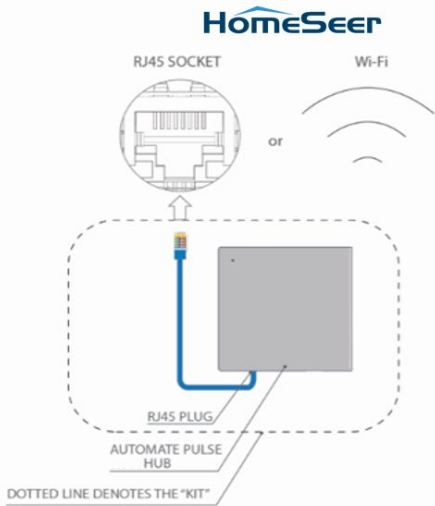
1. "Both" will create 2 devices for the shade, one that controls motor position and another that controls motor rotation.
2. "Position" will create a single device that controls motor position
3. "Rotation" will create a single device that controls motor rotation

COMMON MISTAKES

1. Entering the wrong IP address in the "IP Address" configuration line.
 - If you're failing to discover devices double check this.

HOMESSER CONTROL SYSTEM CONNETION:

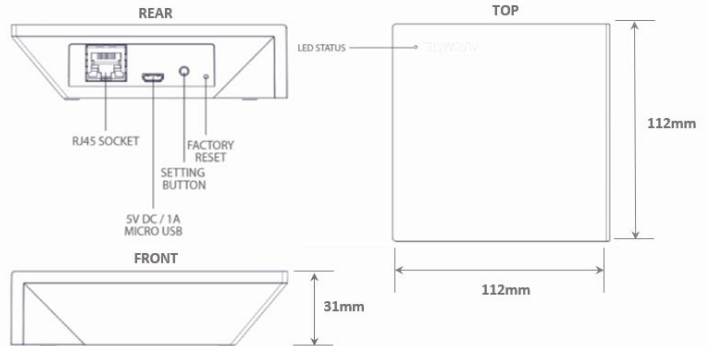
INTEGRATION TOPOLOGY



ADDITIONAL INFORMATION:

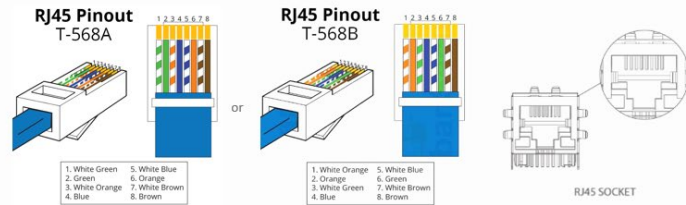
- The CAT 5 cable should be no longer than 100 meters (328ft).
- Router, switch or access point are required to connect the Hub via LAN connection;
- Wi-fi repeater is required depending on the cover of the Wi-fi Router signal.
- The AUTOMATE PULSE HUB 2 works only with Wi-fi in 2.4Ghz (not 5Ghz)

AUTOMATE PULSE HUB 2



CONNECTIONS

The standard connections of the Automate Pulse Hub 2 is Ethernet or Wi-Fi. For a LAN connection, you can use a straight Through wiring accordingly indicated below:



FREQUENTLY ASKED QUESTIONS

Q. No Automate Pulse PRO detected.

A. Make sure that your Automate Pulse PRO is assigned to the correct network and get an IP Address available and still communicating with the network using the Automate Shades App.

Q. Shade limits are not set properly.

A. Calibrate shade limits with your Rollease Acmeda remote before setting the appropriate open and close time within HOMESEER SYSTEM.

Q. Shade is not moving at all.

A. Make sure the selected Pulse PRO Hub is the correct Pulse PRO Hub for the shade to be controlled. Confirm the correct bindings are set in the HOMESSER System connections tab between the Pulse PRO Hub and Shade drivers.

Q. I have multiple Pulse PRO's, what do I do?

A. Load two Pulse Hub drivers. After selecting "Retrieve Hubs" located in the driver actions tab, you will see different Pulse Hubs - select the desired one.

Q. I don't see any shade bindings in the Pulse PRO driver?

A. Select "Retrieve Shades" located in the driver actions tab.

Q. How do I scan for available Pulse PRO?

A. Once the Pulse PRO Hub is properly connected via the Ethernet cable or Wireless network, navigate to the Pulse Hub Properties page within Composer. Select "Retrieve Hubs" located in the driver actions tab.

Q. We get unexpected responses from the HOMESSER system, or "?" symbols

A. Ensure that all connections using the ethernet port or Wi-Fi are working properly. The missed connection has been known to yield unwanted or unexpected results.

SUPPORT RESOURCES:

For further assistance, contact your retailer, visit our website at www.rolleaseacmeda.com.