

Skyline 0.5Nm | 20mm

The motorized Skyline roller shade system offers two Automate motors for two tube diameters to suit a variety of applications. Featuring ARC (Automate Radio Communication), the 20mm Skyline Automate system provides an intelligent Li-ion battery, or a DC powered solution.

AESTHETICAL FEATURES

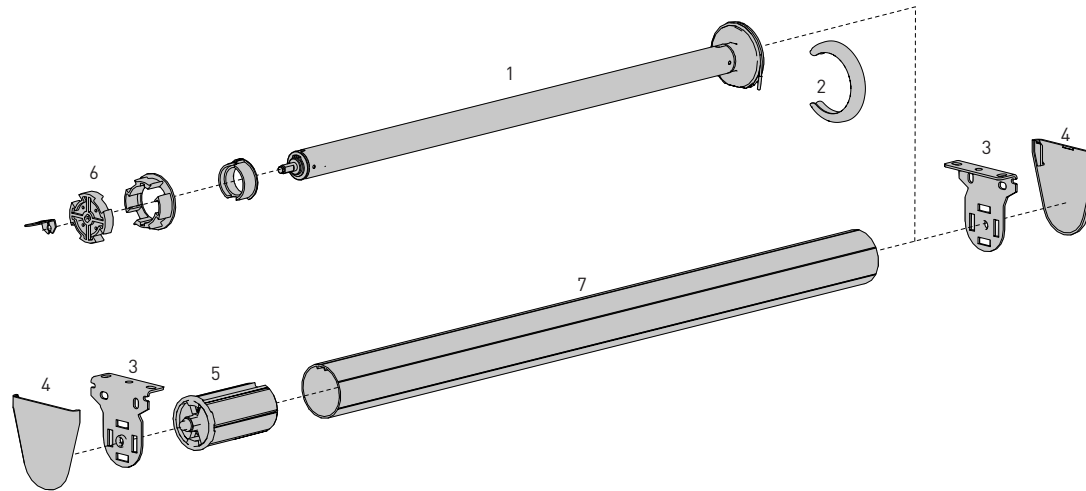
- Slim motor head for minimal light gap
- Motor cap to color match with brackets

PRODUCTION & ASSEMBLY FEATURES

- Greater flexibility with installation with spring loaded pin end
- Crown, drive and adapters available to suit two of tube sizes

FUNCTIONAL BENEFITS

- 5V Micro USB Charging
- Antenna Wire Retention Feature
- Leveling control
- Simple limit setting and adjustment
- Favorite position
- 3 operational speed settings
- 2-way RF communication
- ARC protocol for simple programming



SYSTEM INDEX

1	Automate Motor 20mm MT01-1320-069001 - Li-ion 0.5Nm ARC Motor [Ø20/5V/20rpm]ISKY
2	Motor Cap MT03-0502-xxx001 - Li-ion ZERO
3	Brackets SLB###x - Skyline Bracket SLNB###x - Skyline Narrow Bracket SL01-0306-xxx040 - Skyline LX Bracket - 40mm pitch SL01-0306-xxx055 - Skyline LX Bracket - 55mm pitch
4	Bracket Covers SLBC###x - Skyline Bracket Cover SLNBC###x - Skyline Narrow Bracket Cover RB08-4151-xxx040 - Skyline LX Bracket Cover - 40mm RB08-4151-xxx055 - Skyline LX Bracket Cover - 55mm
5	Pin End SLPEV01 - 1" Tube SLPEV02 - 1-1/8" Tube SLPEV03xx - 1-1/4" Tube SLPEHD53xx - 1-1/2" Tube
6	Crown & Drive Kit MT03-0110-069007 - 1" Tube MT03-0110-069008 - 1-1/8" Tube MTCRDR-25-1.25 - 1-1/4" Tube MT03-0110-069009 - 25mm crowns MT03-0110-069011 - Louvolite 32mm Tube MT03-0110-069012 - Louvolite 38mm Tube
7	Aluminum Tube RTEA1T## - 1" Tube RTEA2T## - 1-1/8" Tube RTEA3T## - 1-1/4" Tube RTEA4T## - 1-1/2" Tube

= Size | xxx = Color | LLL = Length

CONTROL OPTIONS

<p>REMOTES</p>	<p>WALL SWITCH</p>	<p>SMART HOME</p>	<p>PULSE</p>	<p>ELECTRIC</p>	<p>SOLAR</p>	<p>SUN SENSOR</p>
-----------------------	---------------------------	--------------------------	---------------------	------------------------	---------------------	--------------------------

CHARGERS

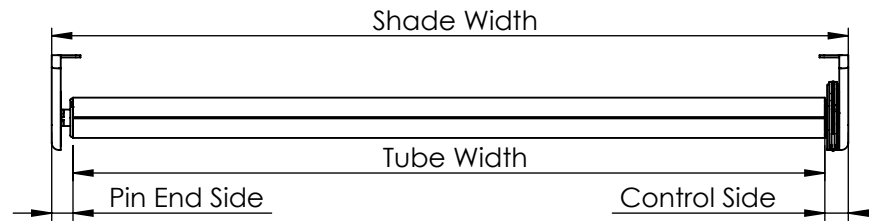
OPTIONS

COLOR RANGE



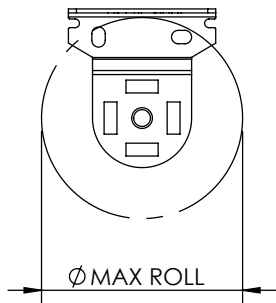
SPECIFICATIONS

DEDUCTION CHART



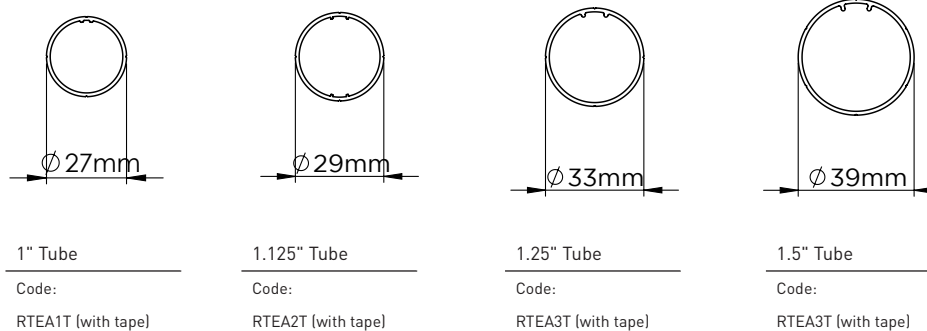
TUBE	MOTOR	BRACKETS	DEDUCTIONS			MINIMUM SHADE WIDTH
			CONTROL END	PIN END	TOTAL	
1", 1-1/8"	MT01-1320-069001	With Covers	5/8" [16mm]	9/16" [14mm]	1-3/16" [30mm]	21-1/8" [536mm]
		No Covers	9/16" [14mm]	1/2" [13mm]	1-1/16" [27mm]	21" [533mm]
1-1/4"		With Covers	11/16" [17mm]	9/16" [14mm]	1-1/4" [31mm]	21-1/8" [537mm]
		No Covers	9/16" [15mm]	1/2" [13mm]	1-1/8" [28mm]	21" [534mm]
1-1/2"		With Covers	11/16" [17mm]	9/16" [15mm]	1-1/4" [32mm]	22-5/8" [574mm]
		No Covers	9/16" [15mm]	9/16" [14mm]	1-1/8" [29mm]	22-1/2" [571mm]

MAX ROLL



BRACKET/SYSTEM	MAX ROLL SIZE
SLNBxx650xx	2-3/8" [59mm]
SLxx660xx	3" [76mm]
SLxx680xx	4" [102mm]
SL01-0306-xxx040	2-15/16" [74mm]
SL01-0306-xxx055	4-1/16" [103mm]

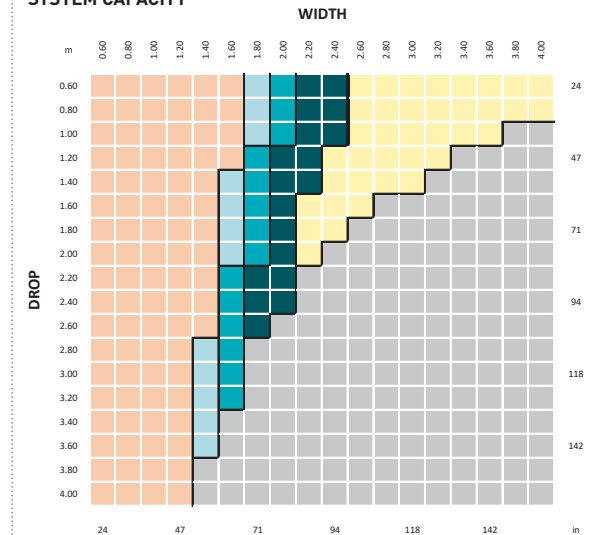
TUBE SPECS



MAX LIFTING CAPACITY					MAX DROP*
MOTOR	1" TUBE	1.125" TUBE	1.25" TUBE	1.5" TUBE	
0.5Nm	8.4lbs [3.8kg]	7.7lbs [3.5kg]	6.8lbs [3.1kg]	5.7lbs [2.6kg]	13'1-1/2" [4m]

* Recommended Max Drop. Exceeding this value may cause fabric tracking issues

SYSTEM CAPACITY



TUBE	CAPACITY	PARAMETERS
1"	3.8kg	FABRIC DENSITY: 420gsm
1.125"	3.5kg	FABRIC THICKNESS: 0.6mm
1.25"	3.1kg	WEIGHT BAR: D30 Medium Bottom Rail
1.5"	2.6kg	CONTROL: 0.5Nm Motor

LINKED SYSTEM ONLY
OUTSIDE PRODUCT SPECIFICATIONS