



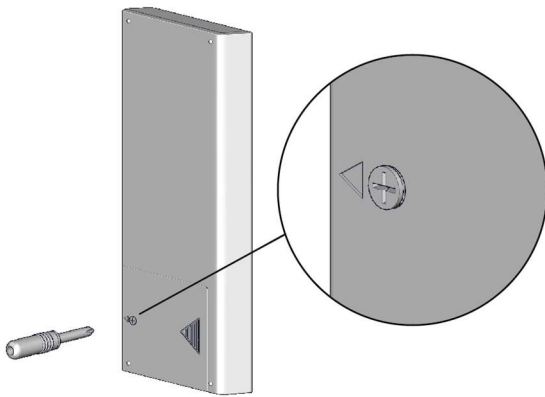
# PRODUCT CHANGE | PUSH 5 CHANNEL REMOTE

	GEN 1	GEN 2	CHANGES MADE	
			YES	NO
DESCRIPTION.	AUTOMATE   PUSH 5 Channel Remote	AUTOMATE   PUSH 5 Channel Remote	<input type="checkbox"/>	<input checked="" type="checkbox"/>
CODE.	MT02-0101-050004 MT02-0101-067004	MT02-0101-050004 MT02-0101-067004	<input type="checkbox"/>	<input checked="" type="checkbox"/>
PACK SIZE.	1   100 Piece	1   100 Piece	<input type="checkbox"/>	<input checked="" type="checkbox"/>
PRICE.	No changes. Refer catalogue.		<input type="checkbox"/>	<input checked="" type="checkbox"/>
COLOUR / FINISH.	Black (050), White / Platinum (067)		<input type="checkbox"/>	<input checked="" type="checkbox"/>
IMAGE.			<input type="checkbox"/>	<input checked="" type="checkbox"/>
TRANSITIONING.	In Stock Now.			

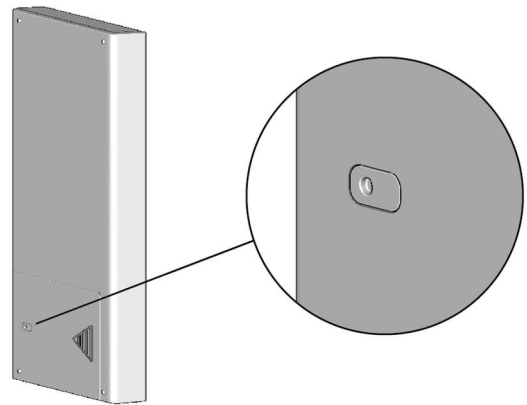
## PRODUCT CHANGES

- Battery Door screw has been removed and replaced by a simple Push Lock
- The mini-screwdriver is no longer supplied
- Quick Start Guide has been updated to reflect this change

### GEN 1 – Battery Door with Screw

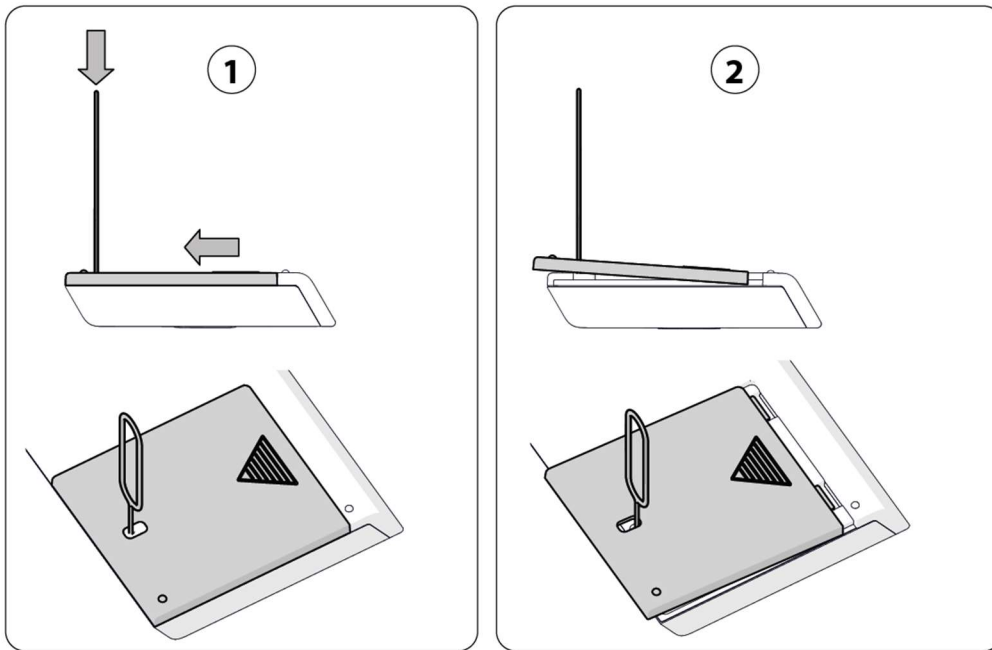


### GEN 2 – Battery Door with Push Lock



# PRODUCT CHANGE | PUSH 5 CHANNEL REMOTE

## To Remove the Battery Door



## To Install the Battery Door

