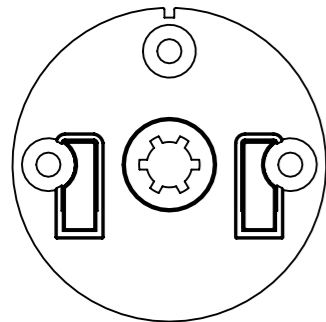
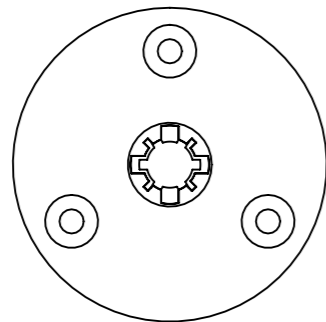


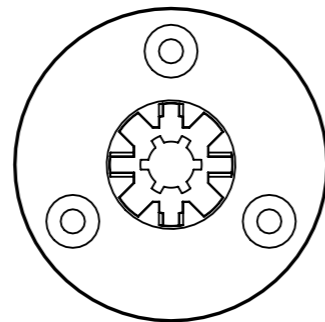
ITEM NO.	PART NUMBER	DESCRIPTION	Default/ QTY.
1	-	AUTOMATE LI-ION 1.1Nm ARC Motor [Ø25/5V/20rpm] (3 battery)	1
2	MT03-0206-069002	AUTOMATE BRACKET ADAPTOR SKYLINE SERIES	1
3	MT03-0205-069002	AUTOMATE BRACKET ADAPTOR R16 SERIES	1
4	MT03-0205-069001	AUTOMATE BRACKET ADAPTOR R8 SERIES	1
5	-	Installation Instructions	1



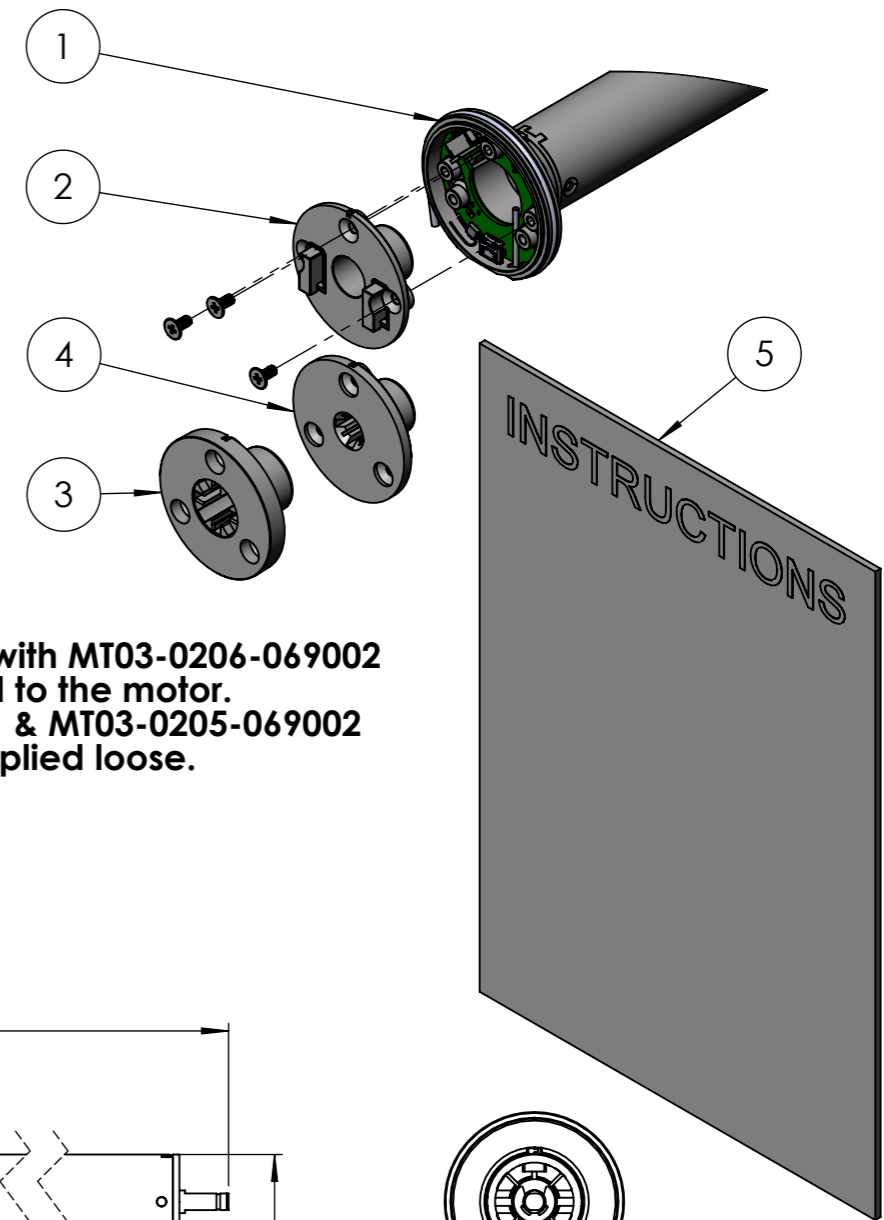
MT03-0206-069002



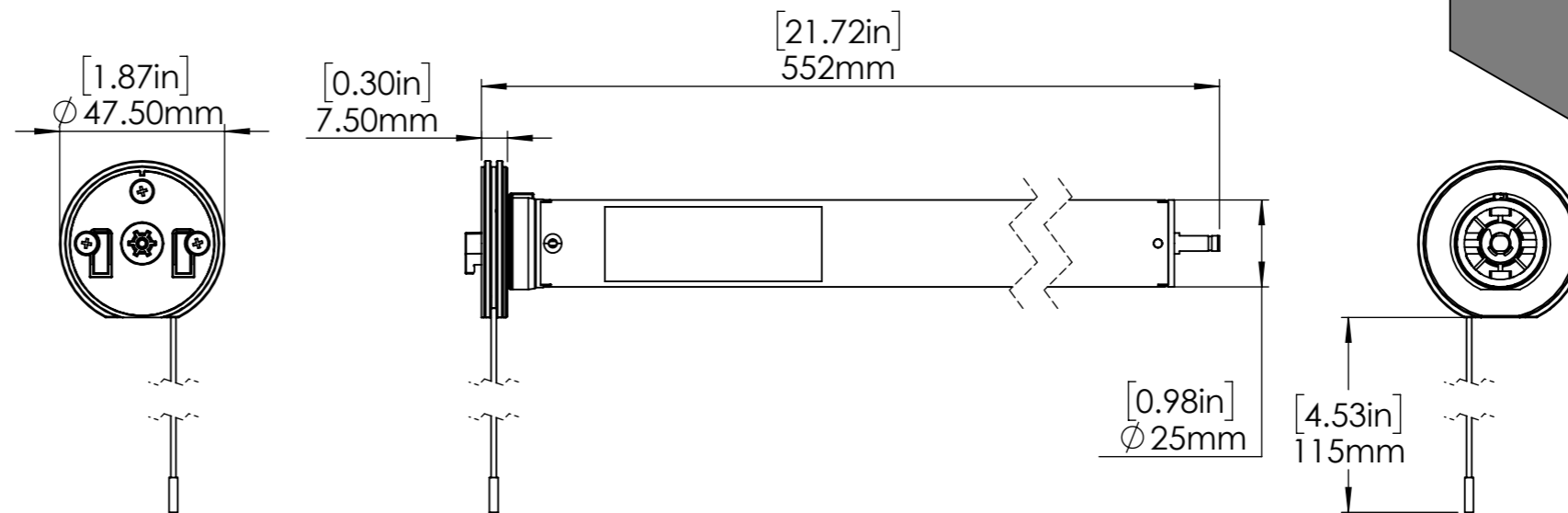
MT03-0205-069001



MT03-0205-069002



NOTE:
 Motor is supplied with MT03-0206-069002 (Skyline) attached to the motor.
 MT03-0205-069001 & MT03-0205-069002 (R8 & R16) are supplied loose.



PRODUCT SPECIFICATION SHEET

ITEM DESCRIPTION: **AUTOMATE | Li-ion 1.1Nm ARC Motor [Ø25/5V/20rpm] (Skyline)**

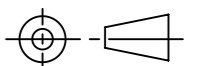
ITEM CODE: **MT01-1325-069002**



© ROLLESE ACMEDA

SCALE:1:2

DRAWN: 11 Jun 2019



www.rolleseeacmeda.com

PROPRIETARY & CONFIDENTIAL
 THE INFORMATION CONTAINED IN THIS DRAWING IS THE SOLE PROPERTY OF ROLLESE ACMEDA. ANY REPRODUCTION IN PART OR WHOLE WITHOUT THE WRITTEN PERMISSION OF ROLLESE ACMEDA IS PROHIBITED.

DIMENSIONS
 IN "MM"

SIZE: **A3**

REV. **03**