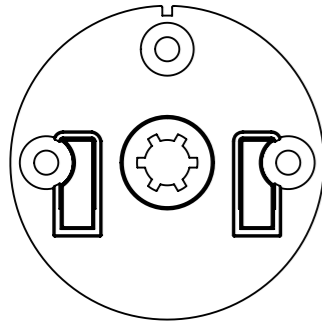
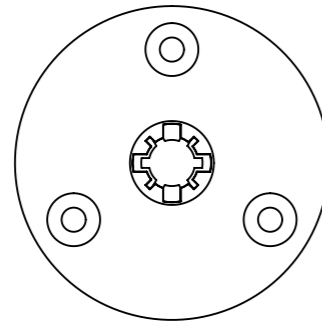


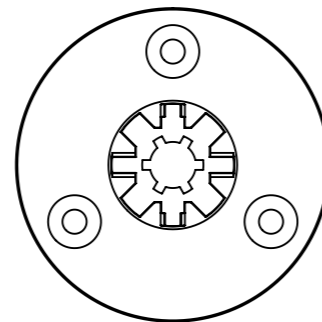
ITEM NO.	PART NUMBER	DESCRIPTION	Default/ QTY.
1	-	AUTOMATE   Motor 1.1Nm ARC Motor [Ø25/5V/20rpm] (2 battery)	1
2	MT03-0206-069002	AUTOMATE   BRACKET ADAPTOR SKYLINE SERIES	1
3	MT03-0205-069001	AUTOMATE   BRACKET ADAPTOR R8 SERIES	1
4	MT03-0205-069002	AUTOMATE   BRACKET ADAPTOR R16 SERIES	1
5	Instructions	Installation Instructions	1



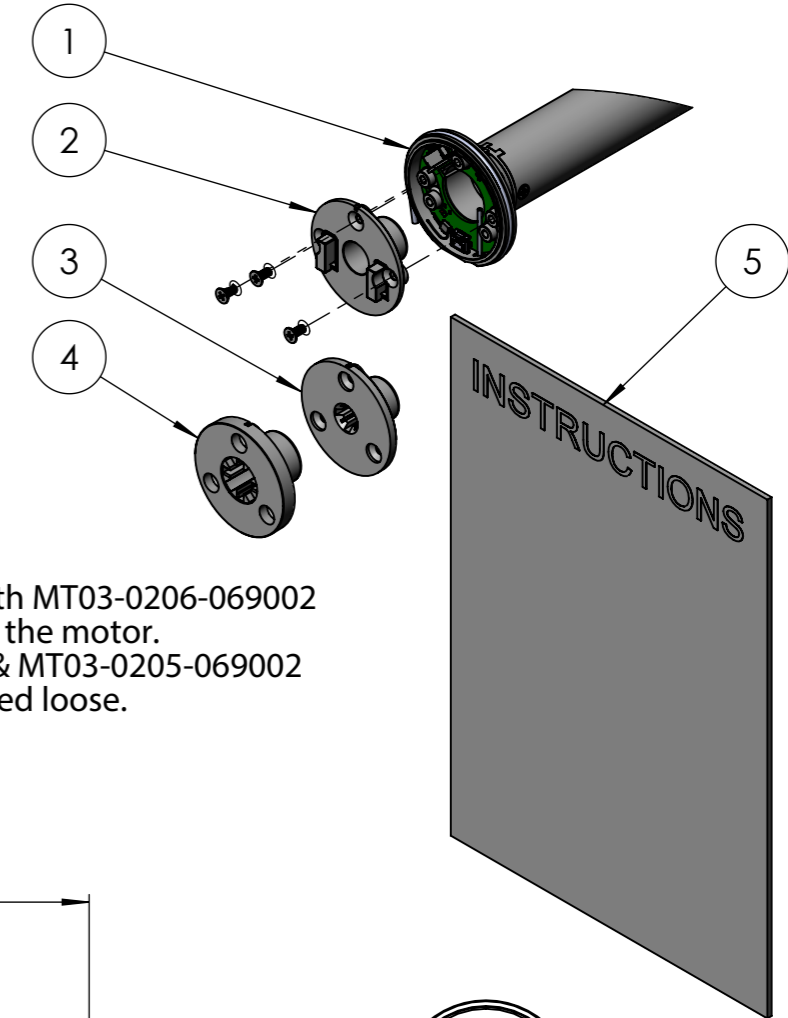
MT03-0206-069002



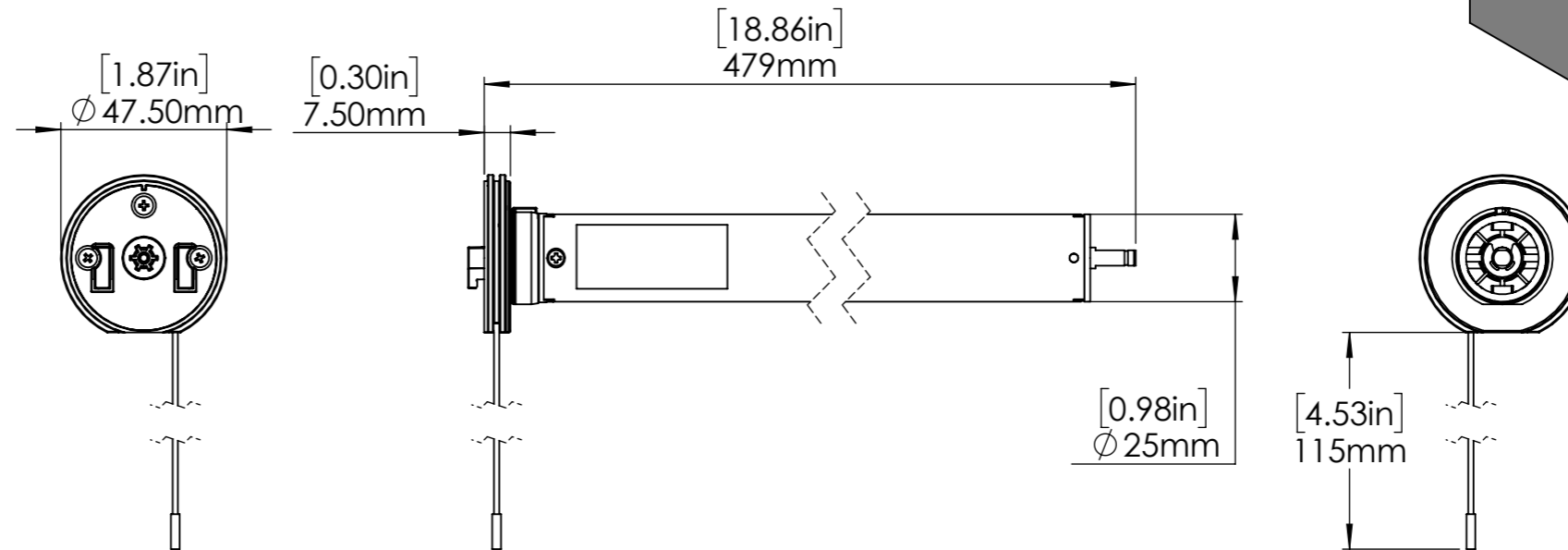
MT03-0205-069001



MT03-0205-069002



NOTE:  
 Motor is supplied with MT03-0206-069002 (Skyline) attached to the motor.  
 MT03-0205-069001 & MT03-0205-069002 (R8 & R16) are supplied loose.



## PRODUCT SPECIFICATION SHEET

ITEM DESCRIPTION: AUTOMATE | LI-ION 1.1Nm ARC Motor [Ø25/5V/20rpm] (Skyline-SHORT)

ITEM CODE: MT01-1325-069001

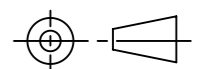


www.rolleasemed.com

© ROLLEASE  
ACMEDA

SCALE:1:1

DRAWN: 02-APRIL-2019



PROPRIETARY & CONFIDENTIAL  
 THE INFORMATION CONTAINED IN THIS DRAWING IS THE SOLE PROPERTY OF  
 ROLLEASE ACMEDA. ANY REPRODUCTION IN PART OR WHOLE WITHOUT THE  
 WRITTEN PERMISSION OF ROLLEASE ACMEDA IS PROHIBITED.

DIMENSIONS  
IN "MM"

SIZE: A3

REV. 01