

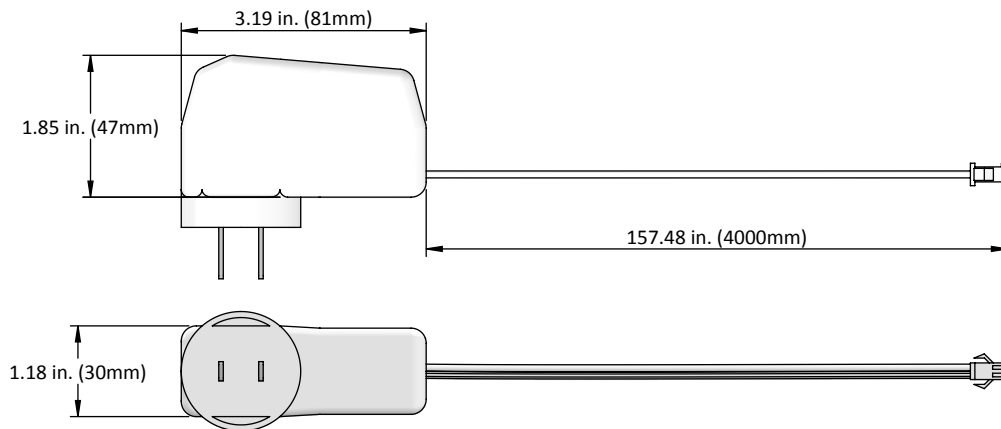
AUTOMATE | Recharger for Li-ion Motors

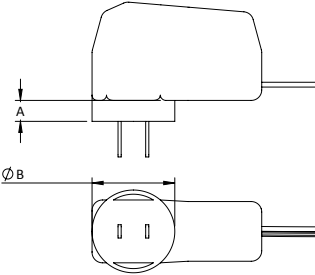
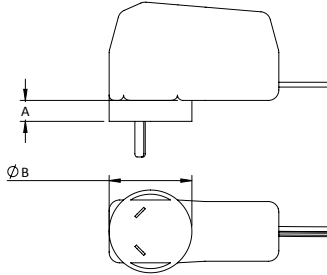
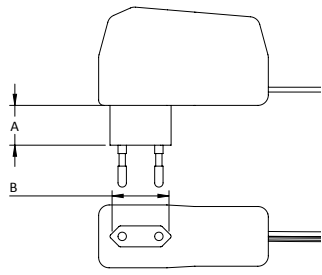
Part#:	MTDCB-CHARGE	MTDCB-CHARGE-AU	MTDCB-CHARGE-EU
Description:	Recharger for DC Battery Motors	AUTOMATE 12V Li-ion Charger	AUTOMATE 12V Li-ion Charger

FEATURES

- Recharge Battery powered motors

DIMENSIONS



Part#:	MTDCB-CHARGE	MTDCB-CHARGE-AU	MTDCB-CHARGE-EU
A	0.39 in. (10mm)	0.39 in. (10mm)	0.75 in. (19mm)
B	Ø1.56 in. (40mm)	Ø1.56 in. (40mm)	1.07 in. (27mm)
C	-	-	-
			

SPECIFICATIONS

Part #	MTDCB-CHARGE	MTDCB-CHARGE-AU	MTDCB-CHARGE-EU	MT03-0301-xxx001
Battery	Li-ion	Li-ion	Li-ion	Li-ion
Input	100-240V ~50/60Hz 0.4A	100-240V ~50/60Hz 0.4A	100-240V ~50/60Hz 0.4A	100-240V ~50/60Hz 0.4A
Output	12.6V 1000mA 12.6W	12.6V 1000mA 12.6W	12.6V 1000mA 12.6W	12.6V 1000mA 12.6W

Leading innovator of precision hardware and automated shade solutions.
USA | AUSTRALIA | EUROPE rolleasemed.com

USE WITH

MOTORS

Descr: AUTOMATE | Li-ion [18mm/0.2Nm/80r] ARC-MTR012V
Part #:MTDCBRF18-0.2

Descr: AUTOMATE | Li-ion [25mm/1.1Nm/40rpm] ARC-MTR12V
Part #:MTDCBRF25-1.1

Descr: AUTOMATE | Li-ion [25mm/1.1Nm/40r] WND-MTR012V
Part #:MTDCBSW25-1.1

Descr: AUTOMATE | Q Li-ion [28mm/2Nm/28rpm] ARC-MTR12V
Part #:MTDCBRFQ28-2

Descr: AUTOMATE | Li-ion [35mm/3Nm/28rpm] ARC-MTR12V
Part #:MTDCBRF35-3

Descr: AUTOMATE | Li-ion [45mm/3.0/28r] ARC-MTR012V
Part #:MTDCBRFQ45-3

Descr: AUTOMATE | Li-ion [45mm/10Nm/9r] ARC-MTR012V
Part #:MTDCBRF45-10

CHARGING CABLES

Descr: Solar Panel Y Harness Cable
Part #:MTDCB-YCBL-SOL

Descr: DC Battery Motor Cable extender 6" / 155mm
Part #:MTDCB-CBLXT6

Descr: DC Battery Motor Cable extender 48" / 1220mm
Part #:MTDCB-CBLXT48

Descr: DC Battery Motor Cable extender 96" / 2440mm
Part #:MTDCB-CBLXT96

Descr: DC Motor Cable extender 6" / 155mm
Part #:MTDC-CBLXT6

Descr: DC Motor Cable extender 48" / 1220mm
Part #:MTDC-CBLXT48

Descr: DC Motor Cable extender 96" / 2440mm
Part #:MTDC-CBLXT96

MOTOR CONNECTION CABLES