

AUTOMATE™

A DIVISION OF ROLLEASE ACMEDA

AX30

A high torque ARC motor suitable for extreme systems featuring Impact Detection as well as open bracket & cassette folding arm awning solutions featuring Self Tightening technology.



3-IN-1 MOTOR

Universal Compatibility with Extreme and Awning Systems



PRECISE LIMIT ADJUSTMENT

Incremental steps during limit setting allows for precise positioning of the shade.



WIND & SUN SENSOR COMPATIBILITY

Ability to detect Wind and light from compatible sensors



ROBUST METAL STAR HEAD

Ensuring a strong and secure attachment.



MULTI-FUNCTIONAL

An optional cassette mode performing a self tightening fabric function for a perfectly sealed cassette or head box.



SIMPLIFIED SETUP

Whether using a remote control or app for shade setup, Automate programming instructions are streamlined to have your shades moving as quickly as possible.



7
YEAR
WARRANTY



ARC™ (Automate Radio Communication) is Rollease Acmeda's proprietary technology utilising 433MHz radio communication with bi-directional feedback that brings Automate motorised shading systems together.

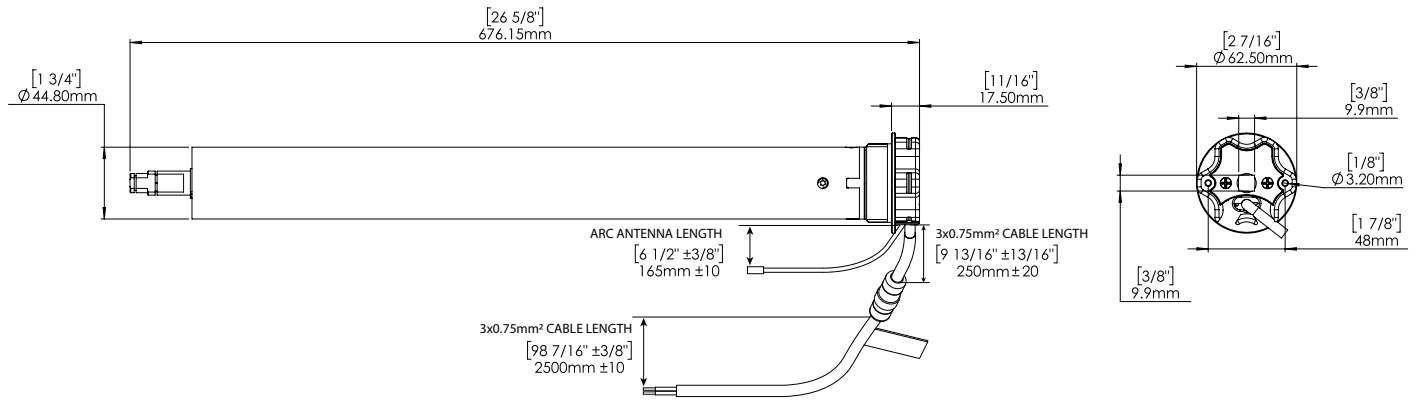
© Rollease Acmeda Pty Ltd

PRODUCT SPECIFICATIONS

Part #: MT01-1145-069014 AUTOMATE AX30 Motor

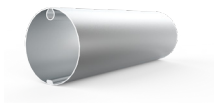
Voltage	230V AC 50Hz	IP Rating	IP44
Torque	30Nm	Limit Switch Type	Electronic
Max Run Time	4min	Current	0.87A
Speed	15 RPM	Temp Working Range	32°F to 140°F (0°C to 60°C)
Radio Frequency	433.92 MHz	Insulation Class	H
RF Modulation	FSK		

DIMENSIONS



COMPATIBLE PARTS

Tubes



Crown & Drives



Adaptors



78mm Steel Tube	RE01-0678-050508 Crown RE01-0679-050508 Drive Wheel
78mm Alu Tube	
S100 110mm Tube	RB80-0701-073100 Extreme Crown RB80-0301-073100 Extreme Drive Wheel MT03-0198-025008 - AUTOMATE SOMFY Drive wheel adaptor
S100 130mm Tube	
S100 160mm Tube	

- RB56-076x-014050 Zamak adaptors

COMPATIBLE SYSTEMS

- Extreme Shades
- Folding Arm Awnings

COMPATIBLE PRODUCTS (refer to catalog for full item listings)

Controllers



Pulse HUB & App



Push 5 remotes

Sensors



Motion Sensor



Wind & Sun Sensor