

AUTOMATE™

ACML 20

Convenient installation. Hard wired. Mechanical limits. The AC motor can seamlessly integrate within any Smart Home Automation system and in a commercial situation is the most economical solution.



COST EFFECTIVE

Economical solution in commercial environments where numerous motors are required. Reduce installation and maintenance costs.



INTEGRATION FLEXIBILITY

Motors can be incorporated into any home automation system, irrespective of the brand.



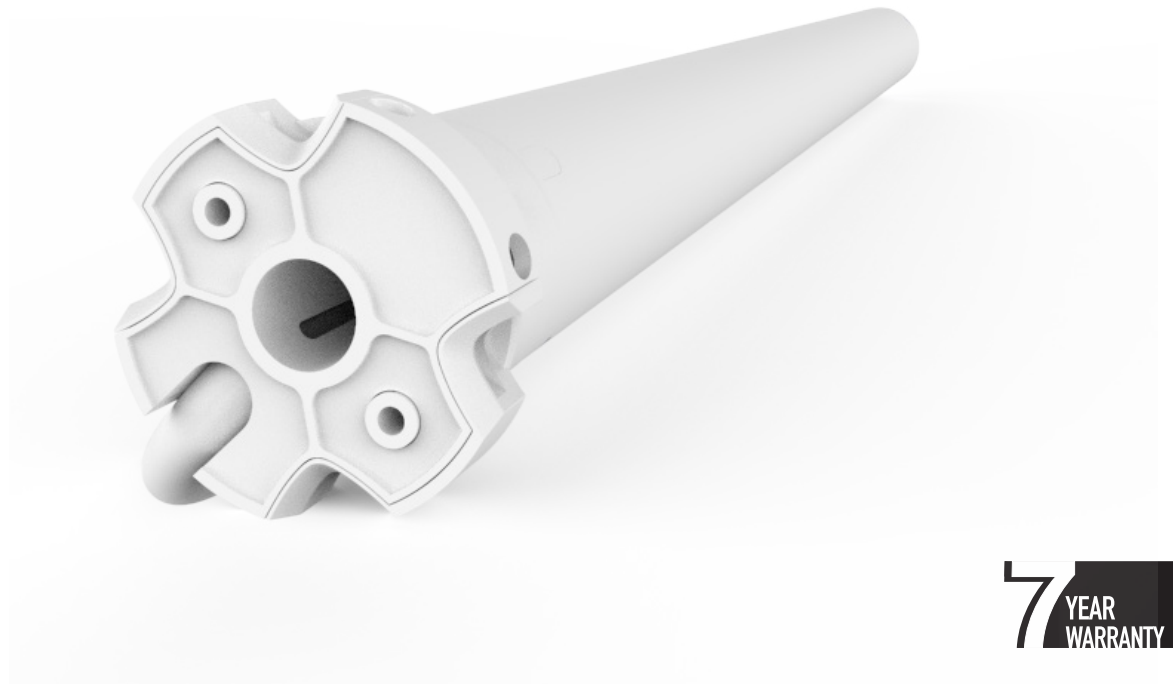
SIMPLIFIED SETUP

Automate programming instructions are streamlined to have your shades moving as quickly as possible.



RELIABLE OPERATION

No interference from other devices to prevent the motor from operating.



7 YEAR WARRANTY



ARC™ (Automate Radio Communication) is Rollease Acmeda's proprietary technology utilizing 433MHz radio communication with bi-directional feedback that brings Automate motorized shading systems together.

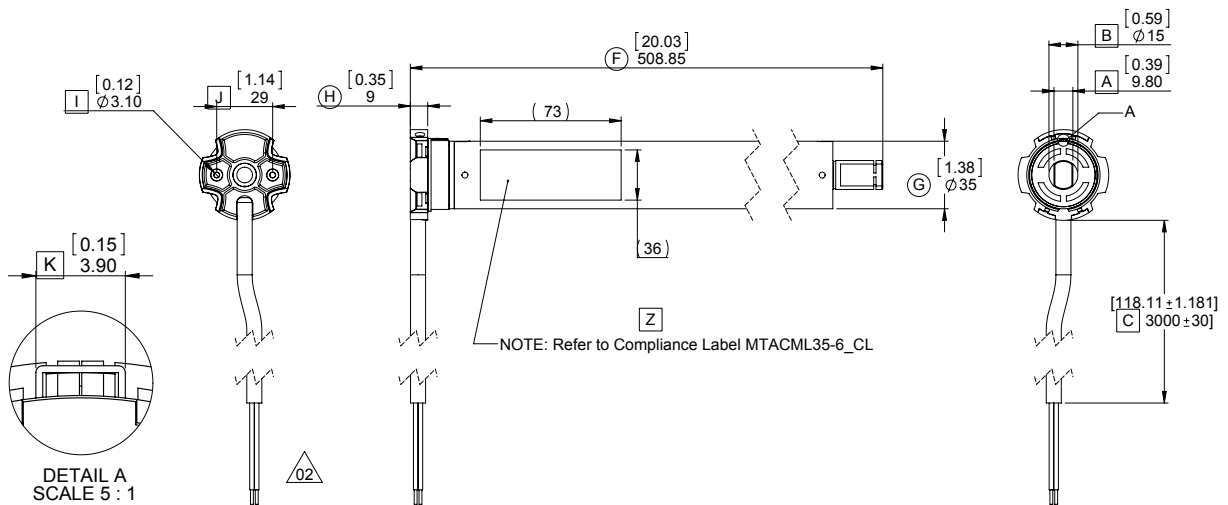
A DIVISION OF
**ROLLEASE
ACMEDA**

PRODUCT SPECIFICATIONS

Part #: MTAC45-20 35mm AC Tubular motor with mechanical limits.

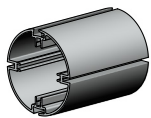
Voltage	110-120 A/C	IP Rating	IP44
Torque	20Nm	Limit Switch Type	Mechanical
Max Run Time	4 min	Current	0.85A
Speed	33 RPM	Temp Working Range	32°F to 140°F (0°C to 60°C)
Sound Level	~52 DB	Insulation Class	III

DIMENSIONS



COMPATIBLE PARTS

Tubes



Crown & Drives



Adaptors



2" Smooth Tube	MTCRDR-45-2SW
2-1/2" Tube	MTCRDR-45-2.5
3-1/4"	MTCRDR-45-3.25
S60	RB56-0336-050502
S80	RB56-0338-050502

- MTAD-45-SL
- MTAD-45-RS