

# AUTOMATE™

## A50 Awning Motor

The Automate A50 motor is suitable for our range of open bracket and cassette awnings; Piuma, Klip, Stein, Kumo, Shan & Feng.



### BI-DIRECTIONAL COMMUNICATION

Automate Radio Communication utilizes two-way communication to provide up-to-date feedback on battery levels and shade positioning via the Automate Pulse 2 app.



### SIMPLE SETUP

Automate programming instructions are streamlined to have your shades moving as quickly as possible.



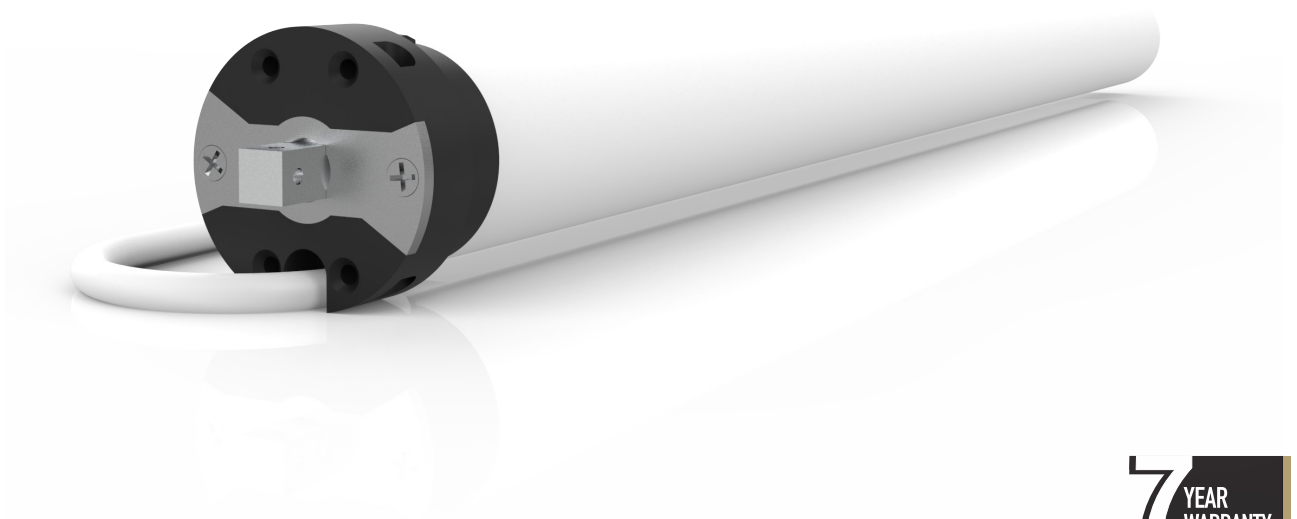
### FAVORITE POSITIONING

Add a programmable shade position in addition to the upper and lower limits that can be defined as your "favourite".



### PRECISE LIMIT ADJUSTMENT

Incremental steps during limit setting allows for precise positioning of the shade.



**7** YEAR WARRANTY



ARC™ (Automate Radio Communication) is Rollease Acmeda's proprietary technology utilizing 433MHz radio communication with bi-directional feedback that brings Automate motorized shading systems together.

A DIVISION OF  
**ROLLEASE  
ACMEDA**

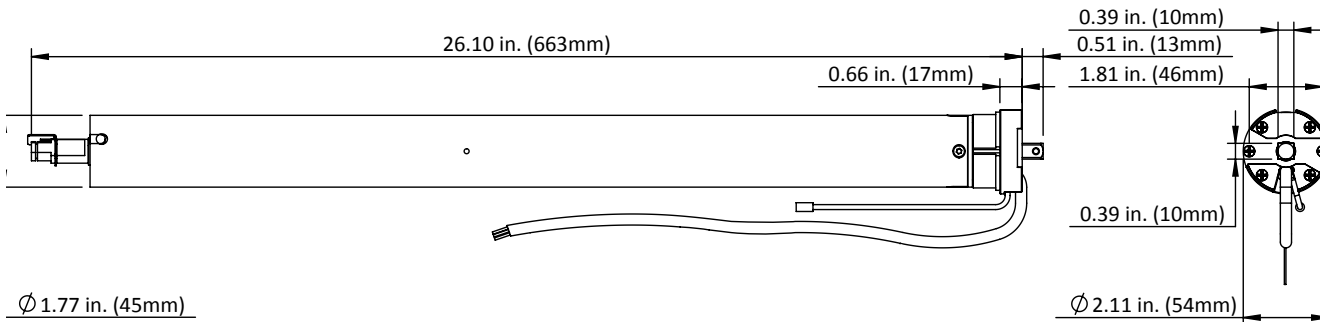
© Rollease Acmeda Pty Ltd

# PRODUCT SPECIFICATIONS

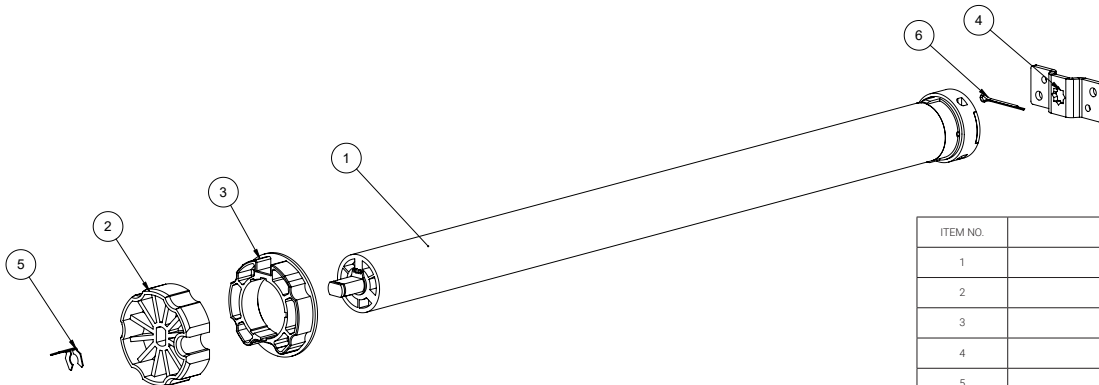
Part #: MT01-1145-069005 ARC A50 Awning Motor

<b>Voltage</b>	220-240V AC 50hz	<b>Limit Switch Type</b>	Electronic
<b>Torque</b>	50Nm	<b>Current</b>	0.98 A
<b>Max Run Time</b>	4 min	<b>Battery Capacity/Type</b>	-
<b>Speed</b>	13 RPM	<b>Temp Working Range</b>	32°F to 140°F (0°C to 60°C)
<b>Radio Frequency</b>	433.92 MHz	<b>Insulation Class</b>	I
<b>RF Modulation</b>	FSK	<b>Power</b>	240
<b>IP Rating</b>	IP44		

## DIMENSIONS



## KIT CONTENTS



ITEM NO.	DESCRIPTION
1	A50 Motor
2	Drive Wheel
3	Crown Wheel
4	Bracket Adaptor
5	Motor Drive Clip
6	Split Pin

## COMPATIBLE SYSTEMS

- Piuma Awnings
- Stein Awnings
- Shan Awnings
- Klip Awnings
- Kumo Awnings
- Feng Awnings

## COMPATIBLE ACCESSORIES (refer to catalog for full item listings)

### Controllers



Pulse HUB & App

Push 5 remotes

### Sensors



Motion Sensor

Wind & Sun Sensor