

Magnetic Wand Motor

Simple, Intuitive Operation

Button operation such as limit setting, up, down and stop consistent with Automate Push remotes.

Zero Head / Simplified Retrofit

A slim motor head retains manual system deductions, eliminating the need for bracket adjustment.

Child-Safe Magnetic Wand

Wand able to be magnetically held in place or detached to control multiple motors.

Easy Charging

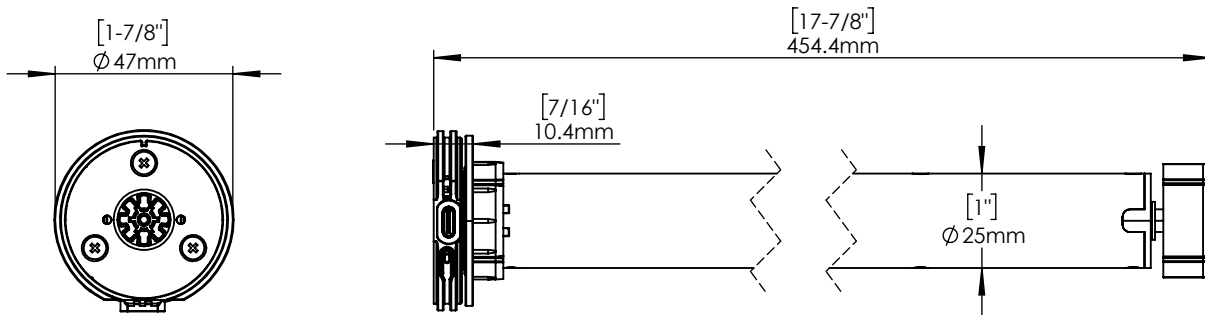
Accessible USB C port on base of wand provides convenient charging access.

Minimal User Effort

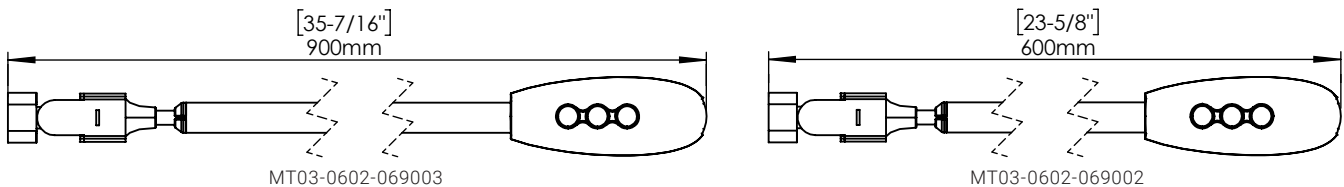
Compared to a clutch / winder system, operation is as simple as a press of a button.

Dimensions

Wand Motor



Magnetic Wand Control



Product Specifications

Voltage	5V-DC
Torque	1.1Nm
Max Run Time	6 min.
Speed	28 RPM (Adjustable to 20 or 24)
IP Rating	IP20
Temp Working Range	32°F to 140°F (0°C to 60°C)
Insulation Class	III

Limit Switch Type	Electronic
Current	0.80 A
Battery Size/Type	2600mAh
Sound Level	56dBA, testing under ISO3745
Power	9.6 W
Motor - Part #	MT01-1325-069023-CT
Wand - Part #	MT03-0602-069003 MT03-0602-069002

Compatible Products

MT03-0502-xxx001 AUTOMATE | Motor Cap for 5V Motor
MT03-0301-069011 AUTOMATE | 5V USB Wall Charger 2A
MT03-0301-069026 AUTOMATE | 5V USB Cable Type C 4000mm

RB93-0443-000LLL S45 Tube Light
RB93-0444-000LLL S45 Tube Standard
RB93-0449-000LLL S45 Tube Heavy

