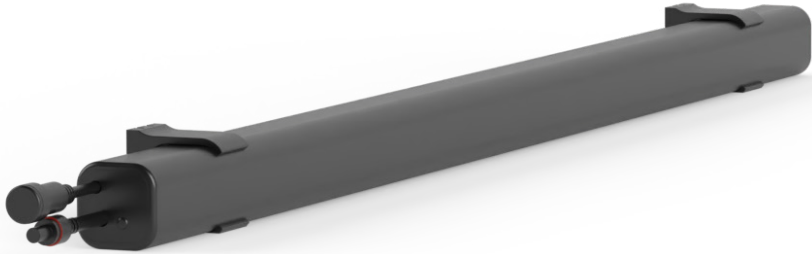


## Rechargeable Battery Pack



---

The rechargeable Lithium-Ion battery pack enables Automate DCFT motor to operate wirelessly and without the constraints of traditional battery wands with disposable batteries.

### FEATURES:

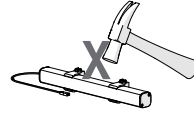
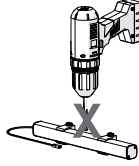
---

- Provides up to 6-12 months on a single charge (depends on shade size, fabric weight& usage)
- Battery pack fully recharges in ~ 7 hours
- Battery health status reported in Automate Pulse App

# SAFETY INSTRUCTIONS

## WARNING: Important safety instructions to be read before installation.

Incorrect installation can lead to serious injury and will void manufacturer's liability and warranty.



## WARNING: Important safety instructions to be read before installation and use.

Incorrect installation or use can lead to serious injury and will void manufacturer's liability and warranty.

It is important for the safety of persons to follow the enclosed instructions. Save these instructions for future reference.

- Do not expose to water, moisture, humid and damp environments or extreme temperatures.
- Persons (including children) with reduced physical, sensory or mental capabilities, or lack of experience and knowledge should not be allowed to use this product.
- Use or modification outside the scope of this instruction manual will void warranty.
- Installation and programming to be performed by a suitably qualified installer.
- Follow installation instructions.
- For use with motorized shading devices.
- Keep away from children.
- Frequently inspect for improper operation. Do not use if repair or adjustment is necessary.
- Keep clear when in operation.
- Replace battery with correctly specified type.

## COMPLIANCE STATEMENT

This device complies with Part 15 of the FCC Rules / Industry Canada licence-exempt RSS standard(s). Operation is subject to the following two conditions:

- (1) this device may not cause harmful interference, and
- (2) this device must accept any interference received, including interference that may cause undesired operation.

Le présent appareil est conforme aux CNR d'Industrie Canada applicables aux appareils radio exempts de licence. L'exploitation est autorisée aux deux conditions suivantes:

- (1) l'appareil ne doit pas produire de brouillage, et
- (2) l'utilisateur de l'appareil doit accepter tout brouillage radioélectrique subi, même si le brouillage est susceptible d'en compromettre le fonctionnement.

Changes or modifications not expressly approved by the party responsible for compliance could void the user's authority to operate the equipment.

This equipment has been tested and found to comply with the limits for a Class B digital device, pursuant to part 15 of the FCC Rules. These limits are designed to provide reasonable protection against harmful interference in a residential installation.

This equipment generates uses and can radiate radio frequency energy and, if not installed and used in accordance with the instructions, may cause harmful interference to radio communications. However, there is no guarantee that interference will not occur in a particular installation.

If this equipment does cause harmful interference to radio or television reception, which can be determined by turning the equipment off and on, the user is encouraged to try to correct the interference by one or more of the following measures:

- Reorient or relocate the receiving antenna.
- Increase the separation between the equipment and receiver.
- Connect the equipment into an outlet on a circuit different from that to which the receiver is connected.
- Consult the dealer or an experienced radio/TV technician for help.

To satisfy FCC / IC RF exposure requirements, a separation distance of 20 cm or more should be maintained

between the antenna of this device and persons during device operation.

To ensure compliance, operations at closer than this distance is not recommended.

Les antennes installées doivent être situées de façon à ce que la population ne puisse y être exposée à une distance de moins de 20 cm. Installer les antennes de façon à ce que le personnel ne puisse approcher à 20 cm ou moins de la position centrale de l'antenne.

La FCC des états-unis stipule que cet appareil doit être en tout temps éloigné d'au moins 20 cm des personnes pendant son fonctionnement.



Do not dispose of in general waste.  
Please recycle batteries and damaged electrical products appropriately.



Li-ion



# 1 INSTALLATION

## 1.1 Charging



### IMPORTANT

Rechargeable Battery Pack must be fully charged prior to first use to prolong battery lifespan.

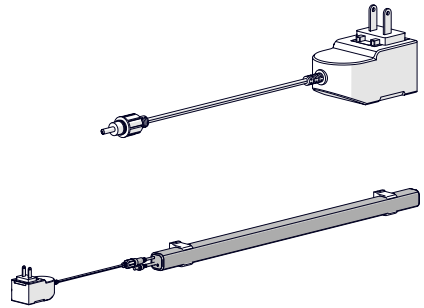
**Step 1.** Connect the Rechargeable Battery Pack to the Automate charger.  
MT03-0301-050017 + MT03-0305-050011

**Step 2.** Charge for 7 hours.

**Step 3.** Install as required.

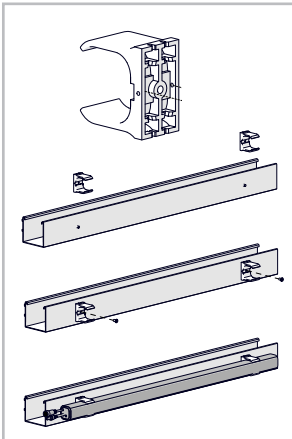
See Section 1.2 Attachment Methods

### Charging Cable

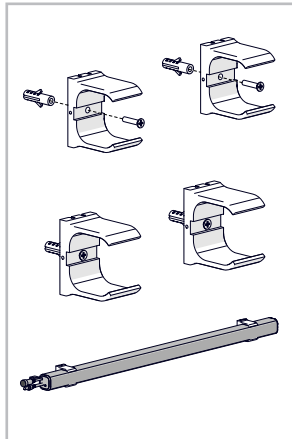


## 1.2 Attachment Methods

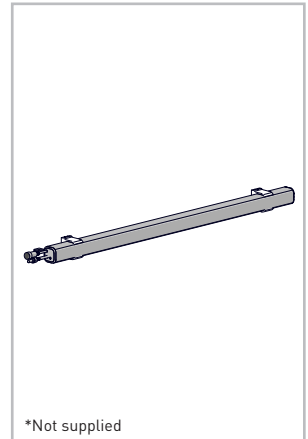
### Cassette



### Screw-Fixed\*



### Double Sided Tape\*



### IMPORTANT INFORMATION

Recommended to install the battery in a horizontal orientation to minimize the risk of water ingress. Ensure the battery is positioned away from direct contact with water or exposure to adverse weather conditions during installation.

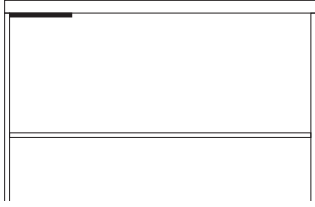
The battery must be installed in a **cool, shaded location** away from direct sunlight. Exposure to excessive heat may cause damage, reduce battery life, or pose a safety risk.

**DO NOT install, operate or charge the battery in the following locations:**

- In direct sunlight
- Near heat sources such as a heater
- In areas prone to extreme temperature fluctuations

Failure to follow these guidelines may void the warranty and affect battery performance.

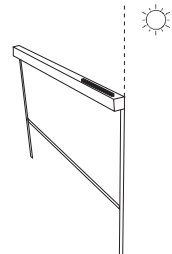
## 1.3 Mounting Options



**Bottom Cassette**  
Front View



**Side Rail**  
Side View



**Top Cassette**  
Perspective View

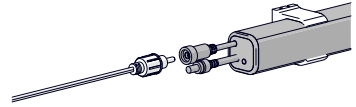
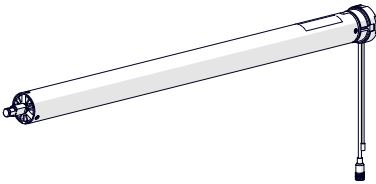
## 1.4 Motor Connections

Charging uses a barrel type connector.

### Motors

MT01-1245-069001

### Motor Connection Cable



## 2 SPECIFICATIONS

Input Voltage	12.6 VDC
Typical Voltage	12 VDC
Nominal Voltage	10.8 V
Rated Energy	5.1A Max
Input Current	1 A
Battery Size	5100mAh
Battery Type	Li-ion Rechargeable
Temperature Working Range	32°F to 140°F (0°C to 60°C)
Charging Time	≈ 7 Hours

ROLLEASE ACMEDA | USA  
Level 7 / 750 East Main Street  
Stamford, CT 06902, USA  
T +1 800 552 5100 | F +1 203 964 0513

ROLLEASE ACMEDA | AUSTRALIA  
110 Northcorp Boulevard,  
Broadmeadows VIC 3047, AUS  
T +61 3 9355 0100 | F +61 3 9355 0110

ROLLEASE ACMEDA | EUROPE  
Via Conca Del Naviglio 18,  
Milan (Lombardia) Italy  
T +39 02 8982 7317 | F +39 02 8982 7317