

Child Safe Remote Control Motor

Retrofit

Upgrade manual shade systems by simply swapping the clutch for a motor, eliminating the need to re-make the shade.

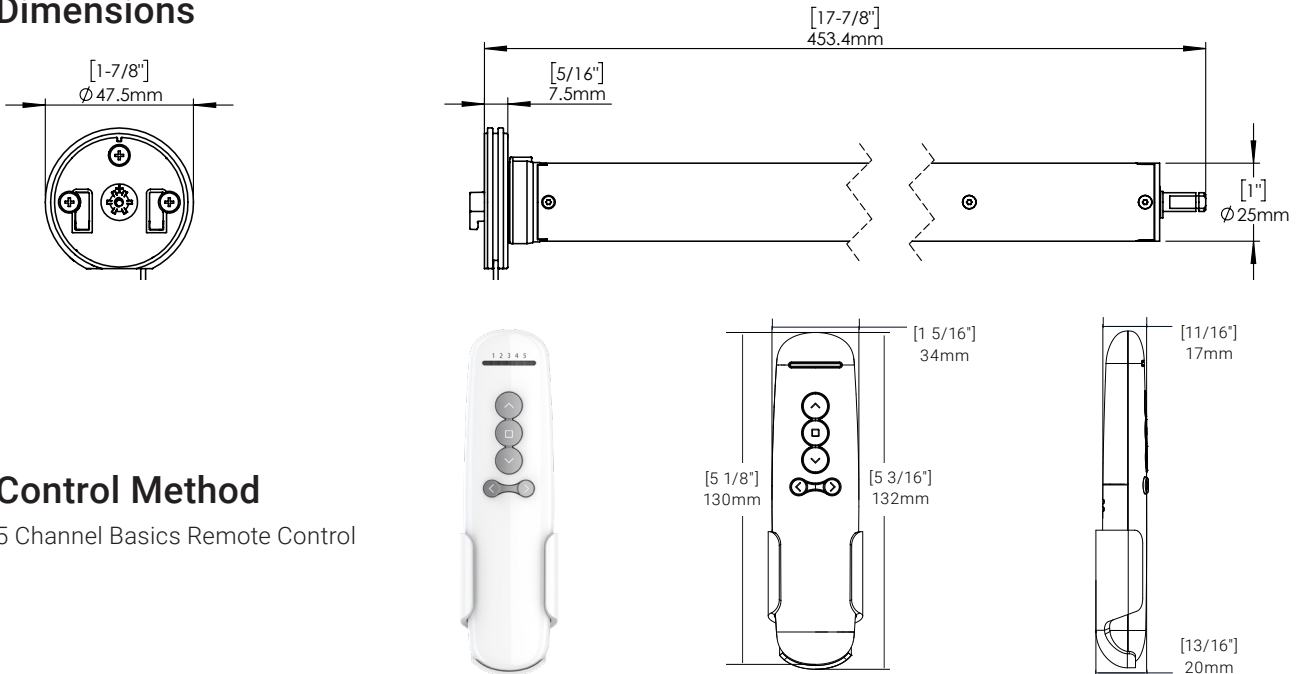
Remote Control

A 5 Channel Remote Control with a sleek design is used to operate the motor with basic up, down and stop functionality.

Child Safe

A entry level motor with basic functionality to support our child safe suite of products.

Dimensions



Control Method

5 Channel Basics Remote Control

Product Specifications

Voltage	5V-DC
Torque	1.1Nm
Max Run Time	12 min.
Speed	28 RPM (Adjustable to 20 or 24)
IP Rating	IP20
Temp Working Range	32°F to 140°F (0°C to 60°C)
Insulation Class	III

Limit Switch Type	Electronic
Current	0.80 A
Battery Size/Type	2600mAH
Sound Level	56dBs, testing under ISO3745
Power	9.6 W
Motor - Part # (20 units)	MT01-1325-069026-CT - 5V1.1NM Motor [Ø25/5V/20RPM] BASICS
Remote - Part #	MT02-0101-069011 5 Channel Basics Remote Control

Accessories

MT03-0206-069002 - SKYLINE SERIES
 MT03-0207-069015 - LOUVOLITE SERIES
 MT03-0205-069001 - R8 SERIES
 MT03-0203-069001 - S45 SERIES

MT03-0301-069007
 5V USB Cable 157" /4000MM

MT03-0301-069008
 5V USB Wall Charger Plug 2A

